



**RoYerMaK**

DOUBLE  
CHOP FORAGE  
HARVESTER

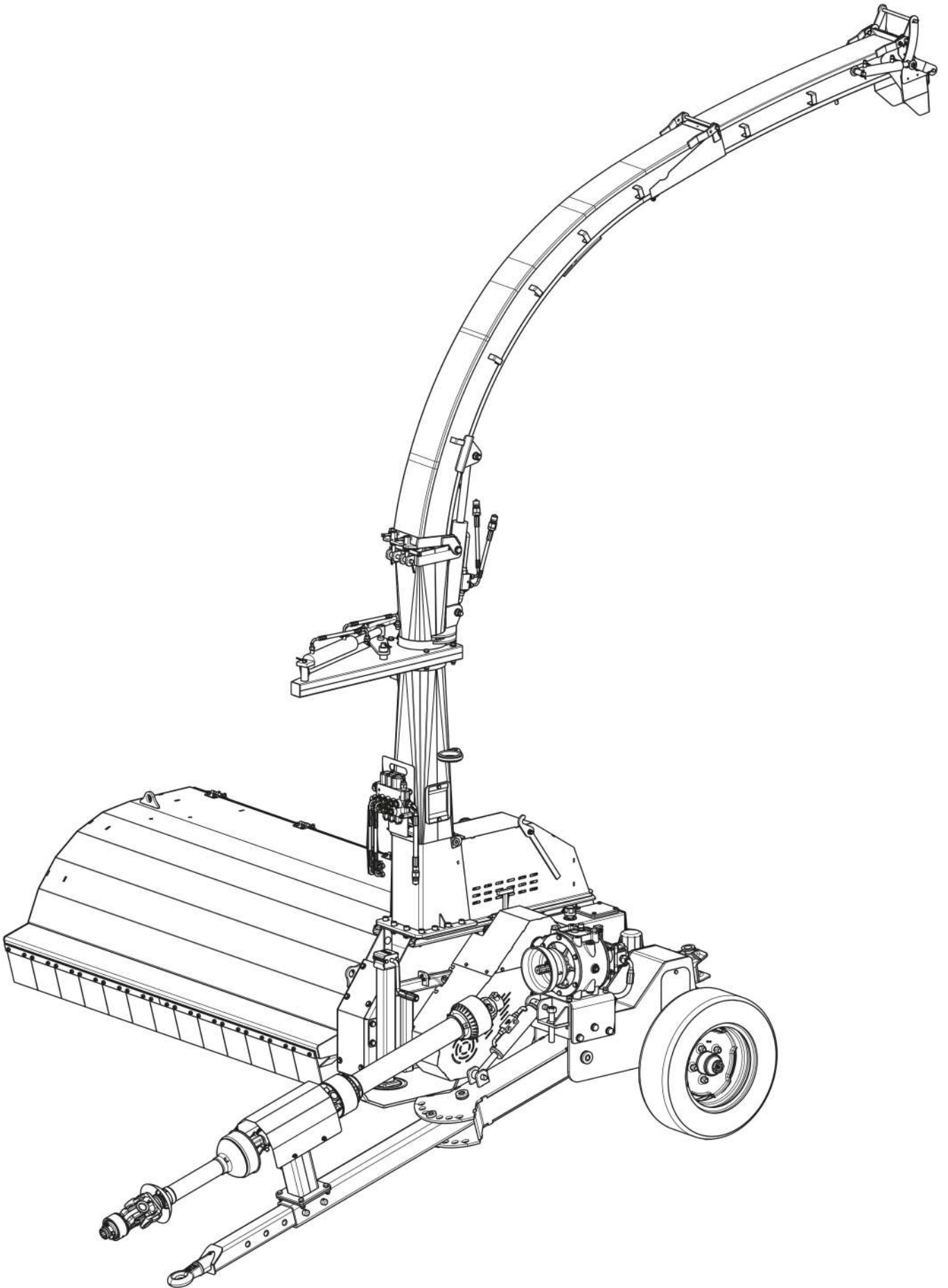


**DOUBLE CHOP FORAGE HARVESTER  
SPARE PART CATALOG**

**CALABRIA**  
WE CREATE A HIGHER STANDARD **PLUS**

DOUBLE CHOP FORAGE HARVESTER  
**SPARE PART CATALOG**

---



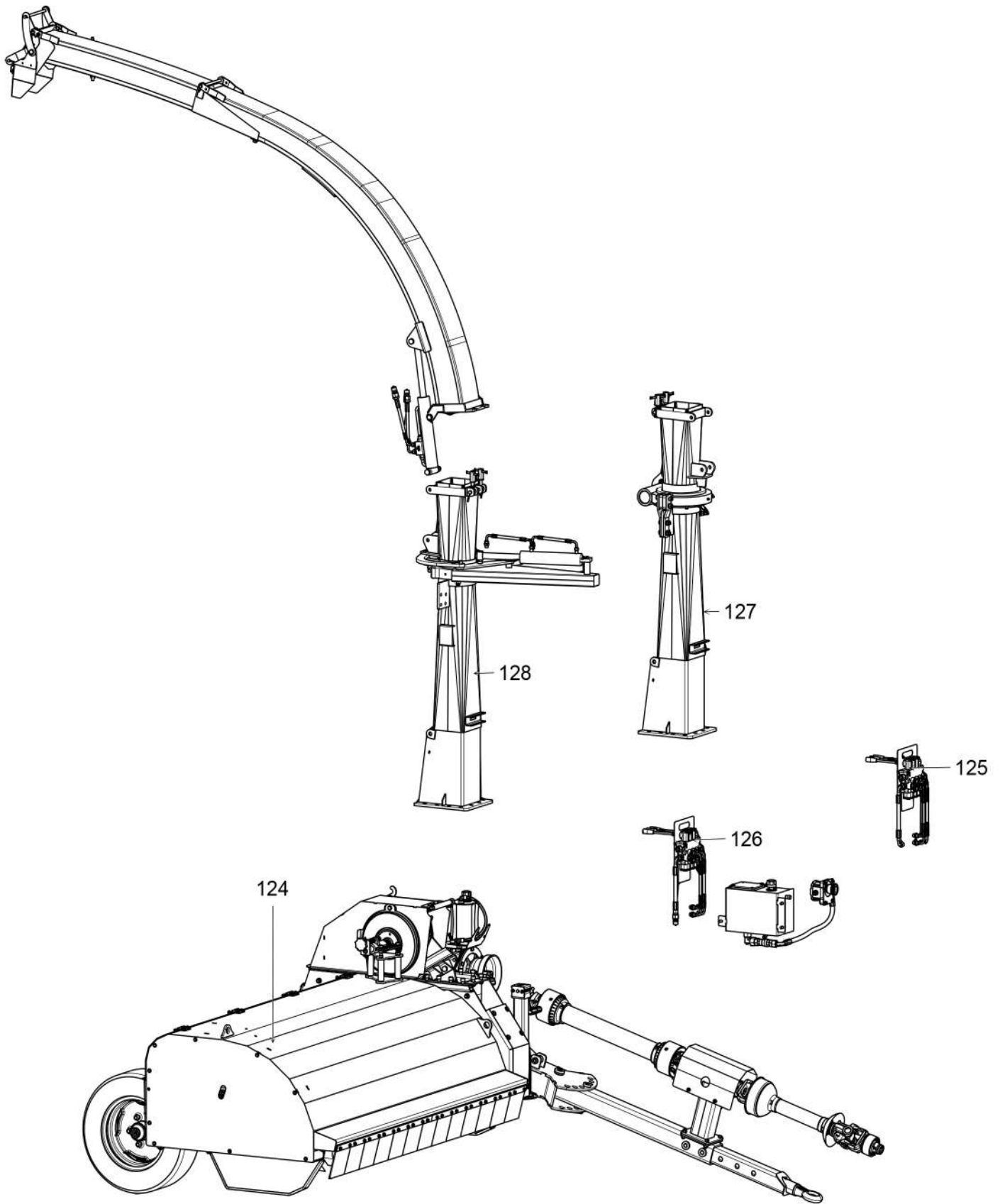
	CALABRIA 1500	CALABRIA 1800	CALABRIA 2100
POWER REQUIREMENT (MIN – MAX)	45 - 60 HP	60 - 80 HP	80 - 110 HP
WORKING WIDTH	1500 mm	1800 mm	2100 mm
ROTOR KNIFE NUMBER	36 pcs	48 pcs	56 pcs
CHOPPING KNIFE NUMBER	10 pcs	10 pcs	10 pcs
SWEEPING PADDLE NUMBER	10 pcs	10 pcs	10 pcs
FIXED BLADES NUMBER	6 pcs	6 pcs	6 pcs
WHEEL SIZES	185X65XR14	185X65XR14	185X65XR14
ROTOR REV NUMBER	1150 RPM	1150 RPM	1150 RPM
CHOPPING KNIFE REV NUMBER	1620 RPM	1620 RPM	1620 RPM
WEIGHT	1180 KG	1245 KG	1310 KG
PTO REV NUMBER	540 RPM	540 RPM	540 RPM
WORK CAPACITY *	20 tons / hour	24 tons / hour	28 tons / hour
WIDTH (WORK POSITION)	2700 mm	3000 mm	3300 mm
HEIGHT (WORK POSITION)	4420 mm	4420 mm	4420 mm
LENGHT (WORK POSITION)	4500 mm	4500 mm	4500 mm
WIDTH (ROAD POSITION)	3275 mm	3375 mm	3500 mm
HEIGHT (ROAD POSITION)	2650 mm	2650 mm	2650 mm
CHOPPING SIZE (ADJUSTABLE)	20 - 70 mm	20 - 70 mm	20 - 70 mm
REAPING HEIGHT (ADJUSTABLE)	50-150 mm	50-150 mm	50-150 mm
TRACTOR DEPENDENT HYDRAULIC	Standard	Standard	Standard
TRACTOR INDEPENDENT HYDRAULIC	Optional	Optional	Optional
360° ROTARY CHIMNEY	Optional	Optional	Optional
160° ROTARY CHIMNEY	Standard	Standard	Standard
DOUBLE STAGE HAT	Standard	Standard	Standard

# DOUBLE CHOP FORAGE HARVESTER

## SPARE PART CATALOG

### OPTIONS

ID	STOCK CODE	DESCRIPTION	QTY
124	TEE0660-010	DOUBLE CHOP GRASS FORAGE MACHINE STANDARD (WITHOUT OPTIONS) ASSEMBLY	1
125	TEE0661-002	DOUBLE CHOP TRACTOR FEED HYDRAULIC KIT	1
126	TEE0662-001	DOUBLE CHOP INDEPENDENT HYDRAULIC OPTION	1
127	TEE0663-003	360 DEGREE ROTATING CHIMNEY OPTION	1
128	TEE0664-003	160 DEGREES ROTATING CHIMNEY OPTION	1

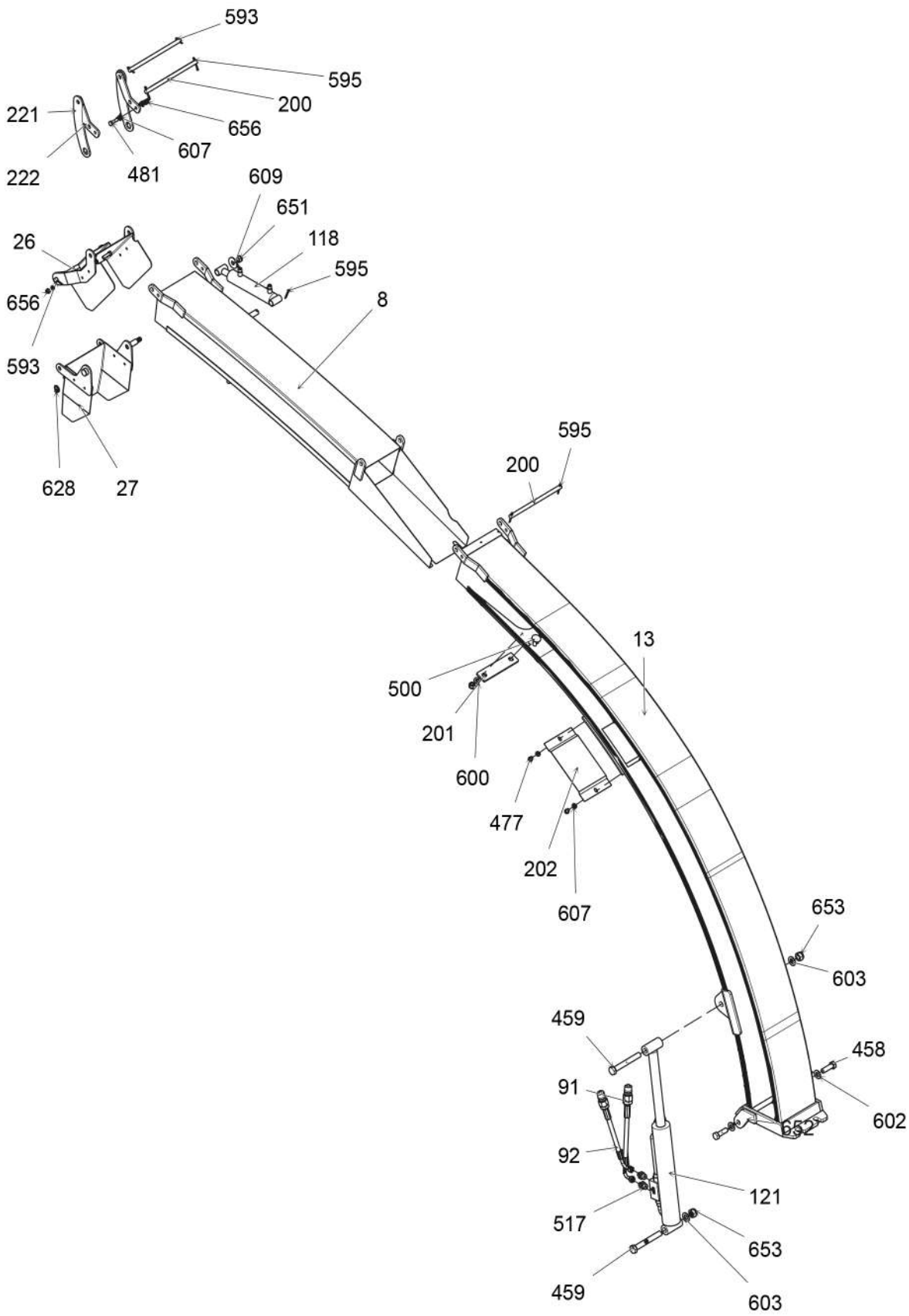


# DOUBLE CHOP FORAGE HARVESTER

## SPARE PART CATALOG

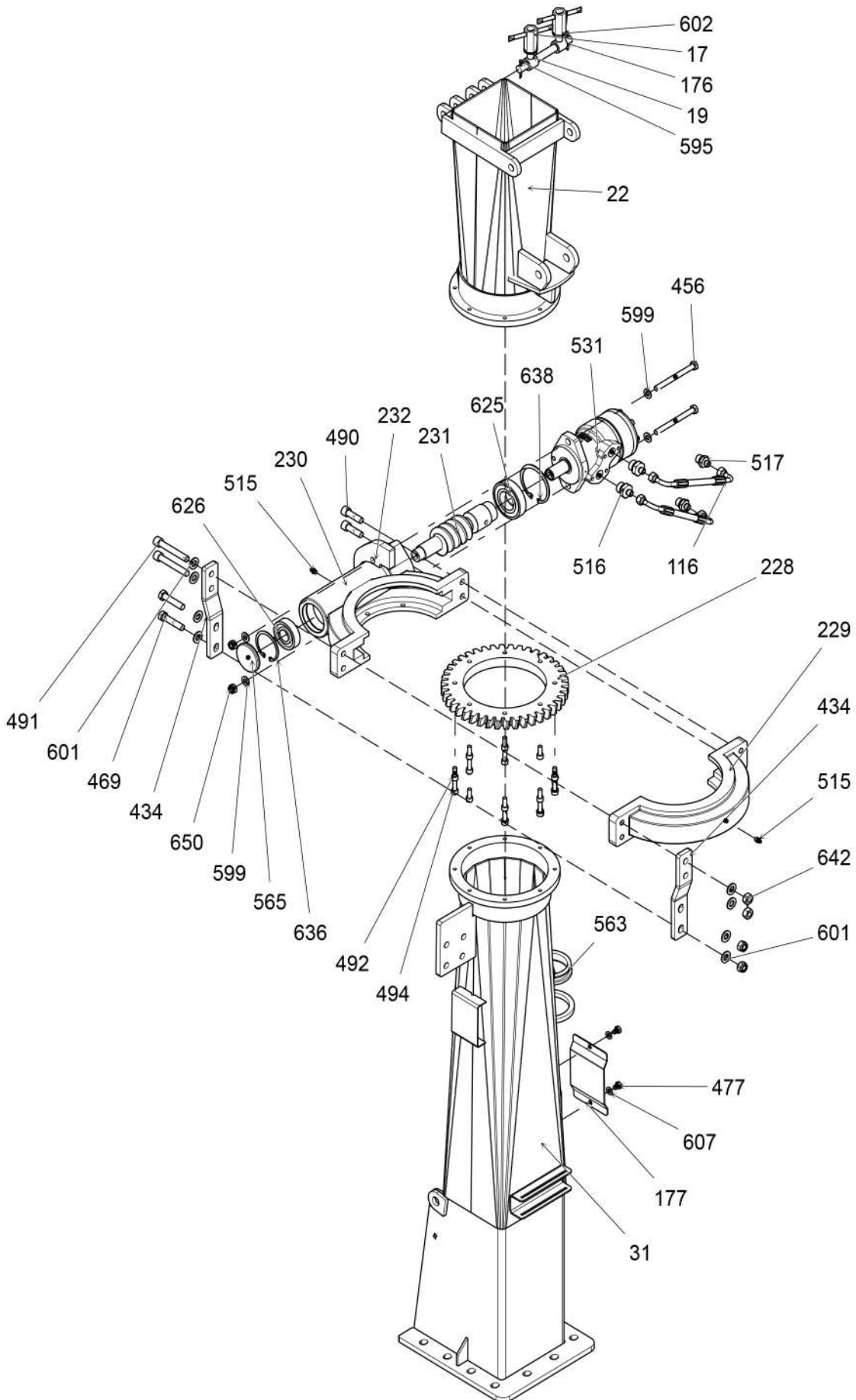
### UPPER CHUTE GROUP

ID	STOCK CODE	DESCRIPTION	QTY
8	CL06711-004	CHUTE EXTENSION ADDITION	1
13	CL06716-003	CHUTE FIRST ENTRY	1
26	CL54409-001	CAP BACKPIECE	1
27	CL54410-003	CAP SIDE PIECE	1
91	CL65428-001	CHUTE LIFT HOSE-1/4 RI HOSE-LENGTH 5500MM-INLET 1/2 UNF 90°-OUTPUT G1/2 HOSE	1
92	CL65430-001	CHUTE LOWER HOSE-1/4 RI HOSE-LENGTH 5800 MM-INLET 1/2 UNF 90°-OUTPUT G1/2 SIPAK	1
118	HS01-250X380-BB	HYDRAULIC LIFT HANDLE--KB250--AB380--PIPE-PIPE	1
121	HS01-470X650-BB	HYDRAULIC LIFT 470X650 TWIN LOCKED PIPE-PIPE	1
200	CL07247-001	CHUTE EXTENSION PIN	4
201	CL07248-001	CHUTE ADDITIONAL CONNECTION FLANGE	1
202	CL07249-001	CLEANING COVER	1
221	CL54393-001	CAP SIDE ARM	2
222	CL54394-001	CAP - CHUTE CONNECTION APPARATUS	2
458	CVT01-M14X45-01	ISO 4014 M14X40X34 HEXAGON HEAD HALF THREADED 8.8 QUALITY GALVANIZED BOLT	2
459	CVT01-M16X120-01	ISO 4014 M16X120X38 HEXAGON HEAD HALF THREADED 8.8 QUALITY GALVANIZED BOLT	2
477	CVT02-M8X10-01	ISO 4017 M8X10 HEXAGON HEAD FULL THREADED 8.8 QUALITY GALVANIZED BOLT	2
481	CVT02-M8X30-01	ISO 4017 M8X30 HEXAGON HEAD FULL THREADED 8.8 QUALITY GALVANIZED BOLT	2
500	CVT07-M12X30-02	ISO 8677 M12X30 ZIPKA FULL THREADED 8.8 QUALITY BLACK BOLT	4
517	HDR01-G3.8XUNF1.2	HYDRAULIC FITTING 3.8X1.2 INCH UNF	2
593	PiM01-4X20-01	ISO 1234-4X20-C TYPE PIN	4
595	PiM01-4X32-01	ISO 1234-4X32-C TYPE PIN	5
600	PUL01-M12-01	ISO 7089-M12 GALVANIZED WASHER	2
602	PUL01-M14-01	ISO 7089-M14 GALVANIZED WASHER	4
603	PUL01-M16-01	ISO 7089-M16 GALVANIZED WASHER	2
607	PUL01-M8-01	ISO 7089-M8 GALVANIZED WASHER	6
609	PUL02-M12-01	ISO 7093-M12 GALVANIZED LARGE WASHER	1
628	SGM01-20X1.2-01	DIN 471-20X1.2 RING PIN	1
651	SMN06-M12-01	DIN 985-M12 HEXAGON 8.8 QUALITY FIBER GALVANIZED NUT	3
652	SMN06-M14-01	DIN 985-M14 HEXAGON 8.8 QUALITY FIBER GALVANIZED NUT	2
653	SMN06-M16-01	DIN 985-M16 HEXAGON 8.8 QUALITY FIBER GALVANIZED NUT	2
656	SMN06-M8-01	DIN 985-M8 HEXAGON 8.8 QUALITY FIBER GALVANIZED NUT	2



ID	STOCK CODE	DESCRIPTION	QTY
17	CL06772-001	CHUTE CONNECTION NUT	2
19	CL06774-001	CHUTE CONNECTION SCREW	2
22	CL06777-001	CHIMNEY PIPE	1
31	CL64789-001	LOWER TRANSITION PIPE	1
116	CL72849-001	360 CHUTE HYDRAULIC HOSE 1/4" R1 5800 MM (INLET HEAD 90° 1/2 UNF-OUTLET HEAD 90° 1/2 UNF)	2
127	TEE0663-003	360 DEGREE ROTATING CHIMNEY OPTION	1
176	CL07046-001	UPPER CHIMNEY PIN	1
177	CL07047-001	CHUTE PIPE CLEANING WINDOW COVER	1
228	CL54514-001	Z42 360 ROTARY CHIMNEY GEAR	1
229	CL54515-001	360 ROTARY CLAMP	1
230	CL54516-001	360 ROTARY CLAMP MAIN BODY	1
231	CL54517-002	360 ROTARY CHIMNEY WORM SCREW	1
232	CL54523-001	360 ROTARY STOPPER	1
434	CL68665-001	HYDROMOTOR STOPPER STRAIGHT CLAMP	2
456	CVT01-M10X110-01	ISO 4014 M10X110X30 HEXAGON HEAD HALF THREADED 8.8 QUALITY GALVANIZED BOLT	2
469	CVT02-M12X55-01	ISO 4017 M12X55 HEXAGON HEAD FULL THREADED 8.8 QUALITY GALVANIZED BOLT	2
477	CVT02-M8X10-01	ISO 4017 M8X10 HEXAGON HEAD FULL THREADED 8.8 QUALITY GALVANIZED BOLT	2
490	CVT04-M12X40-02	ISO 4762 M12X40-40 SOCKET HEAD FULL THREADED 8.8 QUALITY BLACK BOLT	2
491	CVT04-M12X80-02	ISO 4762 M12X80-80 SOCKET HEAD FULL THREADED 8.8 QUALITY BLACK BOLT	2
492	CVT04-M8X20-02	ISO 4762 M8X20-20 SOCKET HEAD FULL THREADED 8.8 QUALITY BLACK BOLT	8
494	CVT04-M8X25-02	ISO 4762 M8X25-25 SOCKET HEAD FULL THREADED 8.8 QUALITY BLACK BOLT	6
515	GRE01-M8X1.25-DÜZ	GREASER NUT DIN 71412-A TYPE FLAT M8X1.25 9ER 6KT	2
516	HDR01-G1.2XUNF1.2	HYDRAULIC FITTING 1.2X1.2 INCH UNF	2
517	HDR01-G3.8XUNF1.2	HYDRAULIC FITTING 3.8X1.2 INCH UNF	2
531	HHM01-HMR50	HYDRO ENGINE--HMR 50	1
563	KAP01-012	HOSE PROTECTION RUBBER	1
565	KECE-KOR-62X8	FELT CORE 62X8	1
595	PIM01-4X32-01	ISO 1234-4X32-C TYPE PIN	2
599	PUL01-M10-01	ISO 7089-M10 GALVANIZED WASHER	4
601	PUL01-M12-02	ISO 7089-M12 BLACK WASHER	8
602	PUL01-M14-01	ISO 7089-M14 GALVANIZED WASHER	2
607	PUL01-M8-01	ISO 7089-M8 GALVANIZED WASHER	2
625	RLM03-6208-2RS1	6208 2RS1 TYPE FIXED BALL BEARING	1
626	RLM03-6305	6305 TYPE FIXED BALL BEARING	1
636	SGM02-62X2-01	DIN 472-62X2 RING PIN	1
638	SGM02-80X2.5-01	DIN 472-80X2.5 RING PIN	1
642	SMN01-M12-02	ISO 4032 M12 D TYPE HEXAGON 8.8 QUALITY BLACK NUT	2
650	SMN06-M10-01	DIN 985-M10 HEXAGON 8.8 QUALITY FIBER GALVANIZED NUT	2



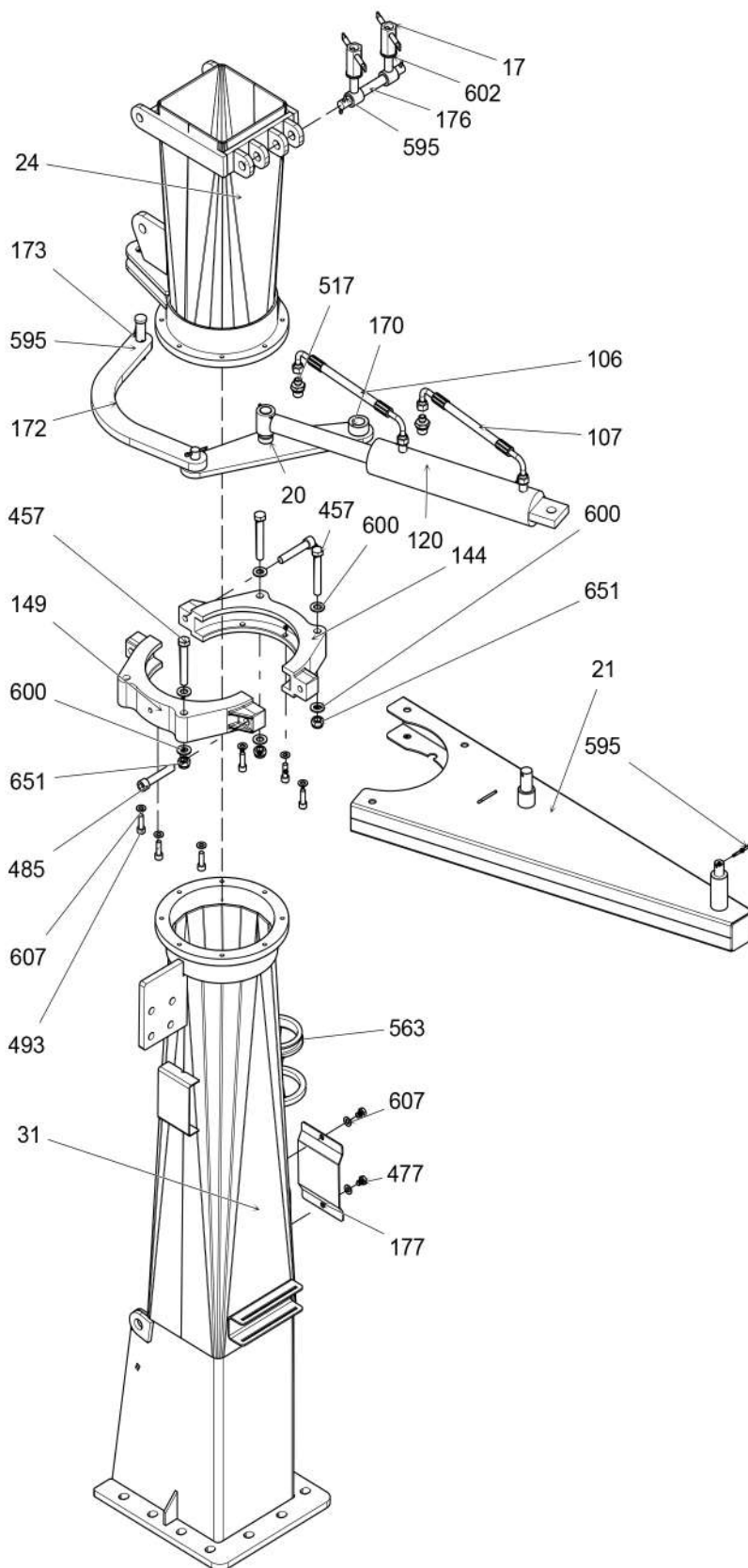


# DOUBLE CHOP FORAGE HARVESTER

## SPARE PART CATALOG

### 160 CHIMNEY ROTARY GROUP

ID	STOCK CODE	DESCRIPTION	QTY
17	CL06772-001	CHUTE CONNECTION NUT	2
21	CL06776-002	CHIMNEY ARM	1
24	CL54074-001	160 ROTARY CHIMNEY MANAGEMENT PIPE	1
31	CL64789-001	LOWER TRANSITION PIPE	1
106	CL68792-001	160 ROTARY DRAWING HOSE-1/4 RI HOSE-LENGTH 5700 MM-INLET 1/2 UNF 90-OUTPUT 1/2 UNF 90	1
107	CL68794-001	160 ROTARY DRAWING HOSE-1/4 RI HOSE-LENGTH 5900 MM-INLET 1/2 UNF 90-OUTPUT 1/2 UNF 90	1
120	HS01-385x571-BL	HYDRAULIC LIFT CHIMNEY FREEZING 385X571 PIPING	1
144	CL06858-001	160 ROTARY CHIMNEY CLAMP OUTSIDE	1
149	CL06903-001	160 ROTARY CHIMNEY CLAMP MALE	1
169	CL07038-001	MOVEMENT LAMP	1
170	CL07039-001	BUSHING LAMP	1
172	CL07042-001	CHIMNEY ROTARY PLATE	1
173	CL07043-001	CHIMNEY ROTARY PLATE CENTERING PIN	1
176	CL07046-001	CHIMNEY PIN	1
177	CL07047-001	CHUTE PIPE STORAGE WINDOW COVER	1
457	CVT01-M12X80-01	ISO 4014 M12X80X30 HEXAGON HEAD HALF THREADED 8.8 QUALITY GALVANIZED BOLT	3
477	CVT02-M8X10-01	ISO 4017 M8X10 HEXAGON HEAD FULL THREADED 8.8 QUALITY GALVANIZED BOLT	2
485	CVT03-M12X65-01	ISO 4762 M12X65-36 SOCKET HEAD HALF THREADED 8.8 QUALITY GALVANIZED BOLT	2
493	CVT04-M8X25-01	ISO 4762 M8X25-25 SOCKET HEAD FULL THREADED 8.8 QUALITY GALVANIZED BOLT	6
517	HDR01-G3.8XUNF1.2	HYDRAULIC FITTING 3.8X1.2 INCH UNF	2
563	KAP01-012	HOSE PROTECTION RUBBER	1
595	P1M01-4X32-01	ISO 1234-4X32-C TYPE PIN	7
600	PUL01-M12-01	ISO 7089-M12 GALVANIZED WASHER	6
602	PUL01-M14-01	ISO 7089-M14 GALVANIZED WASHER	2
607	PUL01-M8-01	ISO 7089-M8 GALVANIZED WASHER	8
651	SMN06-M12-01	DIN 985-M12 HEXAGON 8.8 QUALITY FIBER GALVANIZED NUT	3

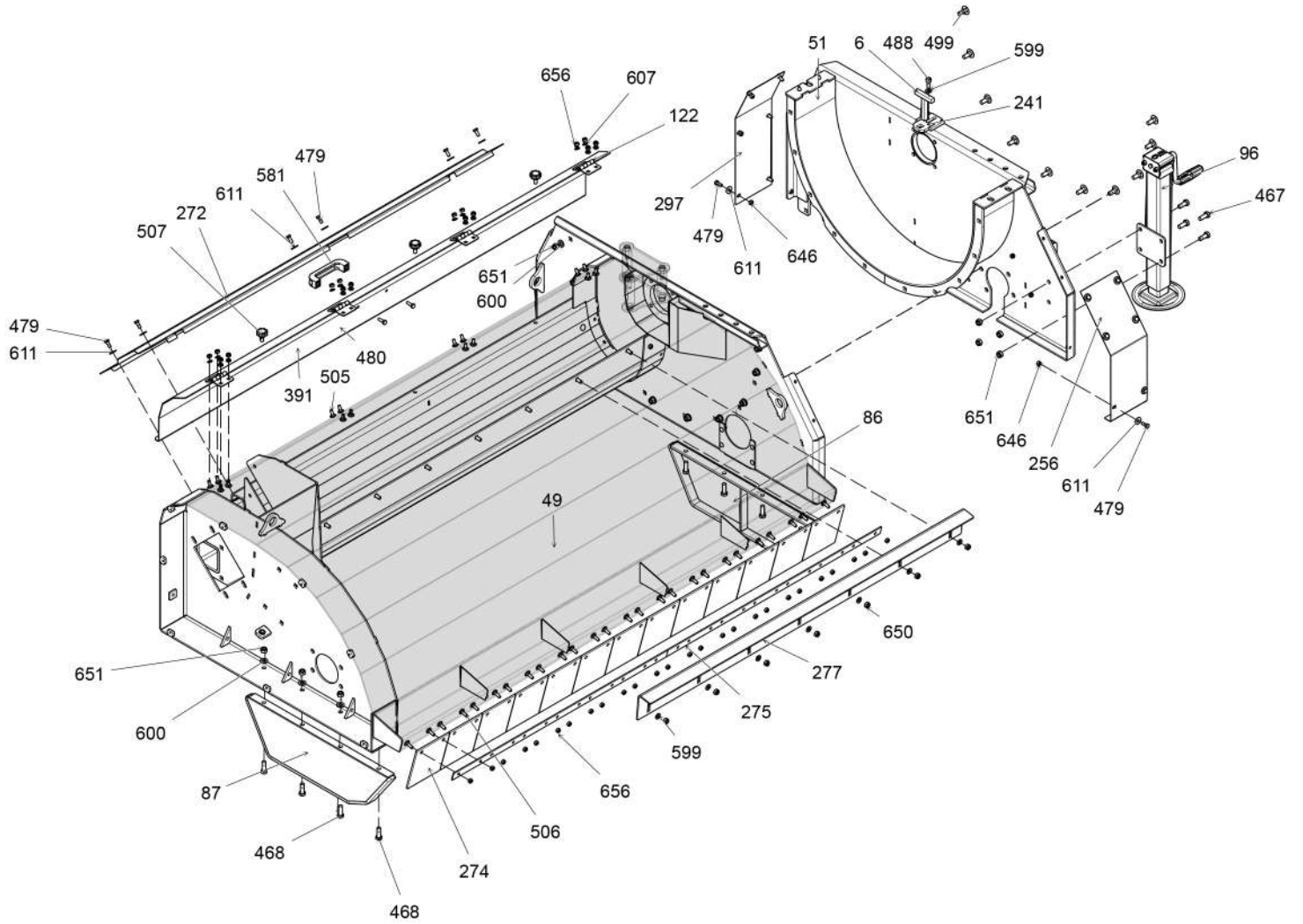


# DOUBLE CHOP FORAGE HARVESTER

## SPARE PART CATALOG

### CHASSIS GROUP AND FLYWHEEL CHAMBER

ID	STOCK CODE	DESCRIPTION	QTY
6	CL06655-001	FLYWHEEL NUT FIXING APPARATUS	1
49	CL65276-003	CHASSIS WELDING GROUP	1
51	CL65298-003	DISASSEMBLED FLYWHEEL CHAMBER	1
86	CL65416-001	DOUBLE CHOP LEFT SLIDE	1
87	CL65417-001	DOUBLE CHOP RIGHT SLIDE	1
96	CL66576-001	122330 JACK STAND WELDING GROUP	1
122	MNTS01-M-60X75-01	HINGE 60X75	4
241	CL64786-002	FLYWHEEL CHAMBER LEFT COVER KEY HOLDER	1
256	CL64899-001	FRONT COVER OF FLYWHEEL CHAMBER	1
272	CL65044-001	DOUBLE CHOP BOTTOM BIG COVER	1
274	CL65072-001	RUBBER GUARD	13
275	CL65079-001	BARREL GUARD PLATE	2
277	CL65094-001	WEED LEVEL SHEET	1
297	CL65233-001	FLYWHEEL CHAMBER SIDE COVER	1
391	CL65411-002	1800 DOUBLE CHOP AUGER COVER	1
467	CVT02-M12X30-01	ISO 4017 M12X30 HEXAGON HEAD FULL THREADED 8.8 QUALITY GALVANIZED BOLT	4
468	CVT02-M12X35-01	ISO 4017 M12X35 HEXAGON HEAD FULL THREADED 8.8 QUALITY GALVANIZED BOLT	8
479	CVT02-M8X20-01	ISO 4017 M8X20 HEXAGON HEAD FULL THREADED 8.8 QUALITY GALVANIZED BOLT	18
480	CVT02-M8X25-01	ISO 4017 M8X25 HEXAGON HEAD FULL THREADED 8.8 QUALITY GALVANIZED BOLT	2
488	CVT04-M10X25-01	ISO 4762 M10X25-25 SOCKET HEAD FULL THREADED 8.8 QUALITY GALVANIZED BOLT	1
499	CVT07-M12X30-01	ISO 8677 M12X30 ZIPKA FULL THREADED 8.8 QUALITY GALVANIZED BOLT	10
505	CVT07-M8X20-01	ISO 8677 M8X20 ZIPKA FULL THREADED 8.8 QUALITY GALVANIZED BOLT	19
506	CVT07-M8X25-01	ISO 8677 M8X25 ZIPKA FULL THREADED 8.8 QUALITY GALVANIZED BOLT	26
507	CVT19-M10X20	AUGER COVER BUTTERFLY BOLT--MALE--M10--L20--Ø40	3
581	KULP01-M8-130	AUGER COVER HANDLE NO 2 TYPE 130MM	1
599	PUL01-M10-01	ISO 7089-M10 GALVANIZED WASHER	8
600	PUL01-M12-01	ISO 7089-M12 GALVANIZED WASHER	22
607	PUL01-M8-01	ISO 7089-M8 GALVANIZED WASHER	16
611	PUL02-M8-01	ISO 7093-M8 GALVANIZED LARGE WASHER	18
646	SMN01-M8-01	ISO 4032 M8 D TYPE HEXAGON 8.8 QUALITY GALVANIZED NUT	12
650	SMN06-M10-01	DIN 985-M10 HEXAGON 8.8 QUALITY FIBER GALVANIZED NUT	7
651	SMN06-M12-01	DIN 985-M12 HEXAGON 8.8 QUALITY FIBER GALVANIZED NUT	22
656	SMN06-M8-01	DIN 985-M8 HEXAGON 8.8 QUALITY FIBER GALVANIZED NUT	49

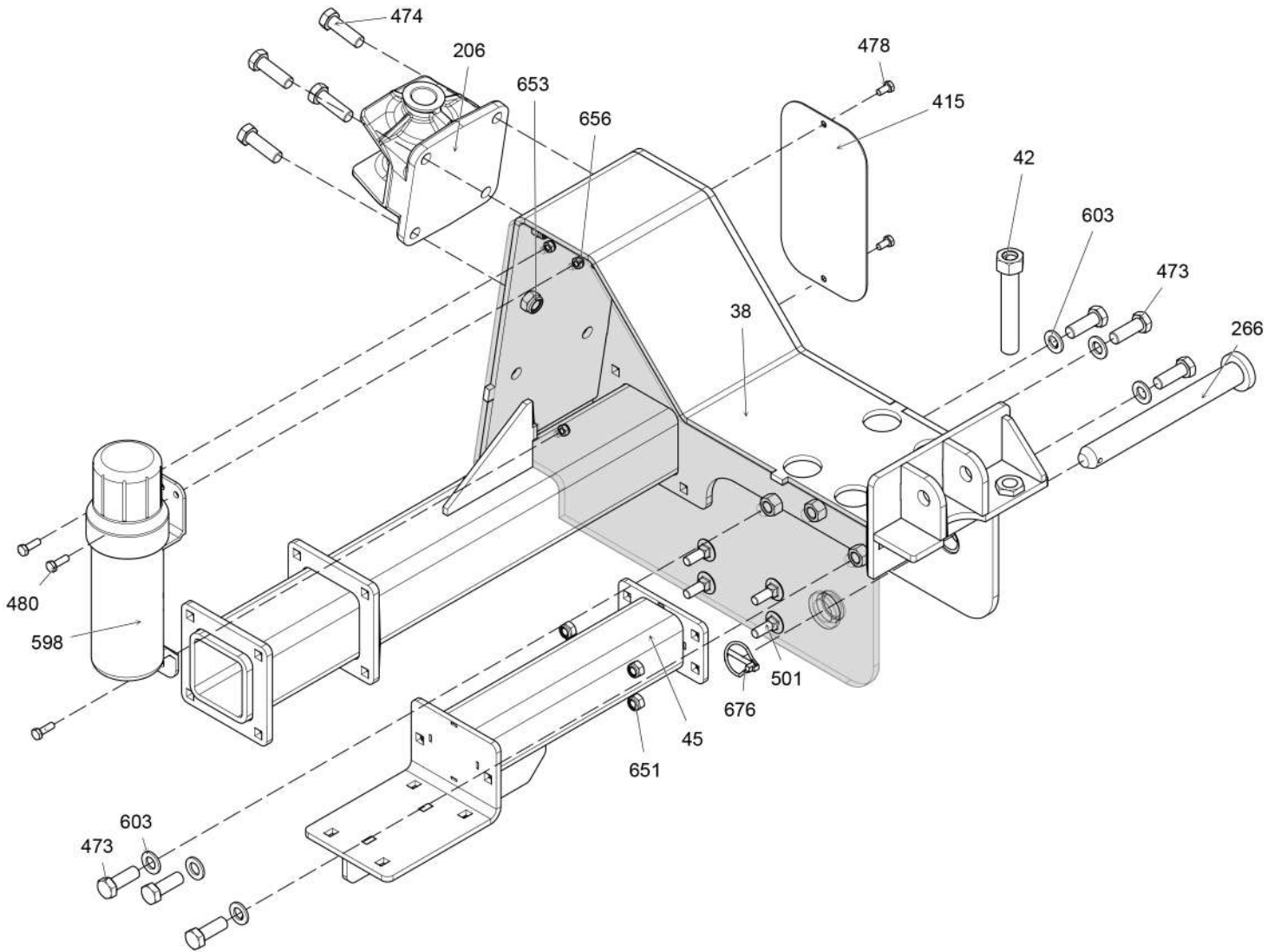


# DOUBLE CHOP FORAGE HARVESTER

## SPARE PART CATALOG

### REAR DRIVE ASSEMBLY

ID	STOCK CODE	DESCRIPTION	QTY
38	CL65023-001	DOUBLE CHOPPING TRANSMISSION MAIN CONNECTION BODY	1
42	CL65189-001	TEN TEETH CHAIN GEAR ASSEMBLY TENSIONER	1
45	CL65206-001	DOUBLE CHOP SAFT INTERCONNECTION	1
206	CL20998-001	WOVEN BACK SKETCH	1
266	CL65025-001	DRAWING SHAFT 268 MM PIN SHAFT	1
415	CL66592-001	DOUBLE CHOP WINDOW COVER	1
473	CVT02-M16X45-01	ISO 4017 M16X45 HEXAGON HEAD FULL THREADED 8.8 QUALITY GALVANIZED BOLT	6
474	CVT02-M16X50-01	ISO 4017 M16X50 HEXAGON HEAD FULL THREADED 8.8 QUALITY GALVANIZED BOLT	4
478	CVT02-M8X16-01	ISO 4017 M8X16 HEXAGON HEAD FULL THREADED 8.8 QUALITY GALVANIZED BOLT	2
480	CVT02-M8X25-01	ISO 4017 M8X25 HEXAGON HEAD FULL THREADED 8.8 QUALITY GALVANIZED BOLT	3
501	CVT07-M12X35-01	ISO 8677 M12X35 ZIPKA FULL THREADED 8.8 QUALITY GALVANIZED BOLT	4
598	PKKK01-300-C90	LENGTH 315MM CAP 90MM IP66 CYLINDRICAL USER MANUAL BOX	1
603	PUL01-M16-01	ISO 7089-M16 GALVANIZED WASHER	6
651	SMN06-M12-01	DIN 985-M12 HEXAGON 8.8 QUALITY FIBER GALVANIZED NUT	5
653	SMN06-M16-01	DIN 985-M16 HEXAGON 8.8 QUALITY FIBER GALVANIZED NUT	4
656	SMN06-M8-01	DIN 985-M8 HEXAGON 8.8 QUALITY FIBER GALVANIZED NUT	3
676	PIM04-6-YAYLI	PIN SPRING CAP 6	1



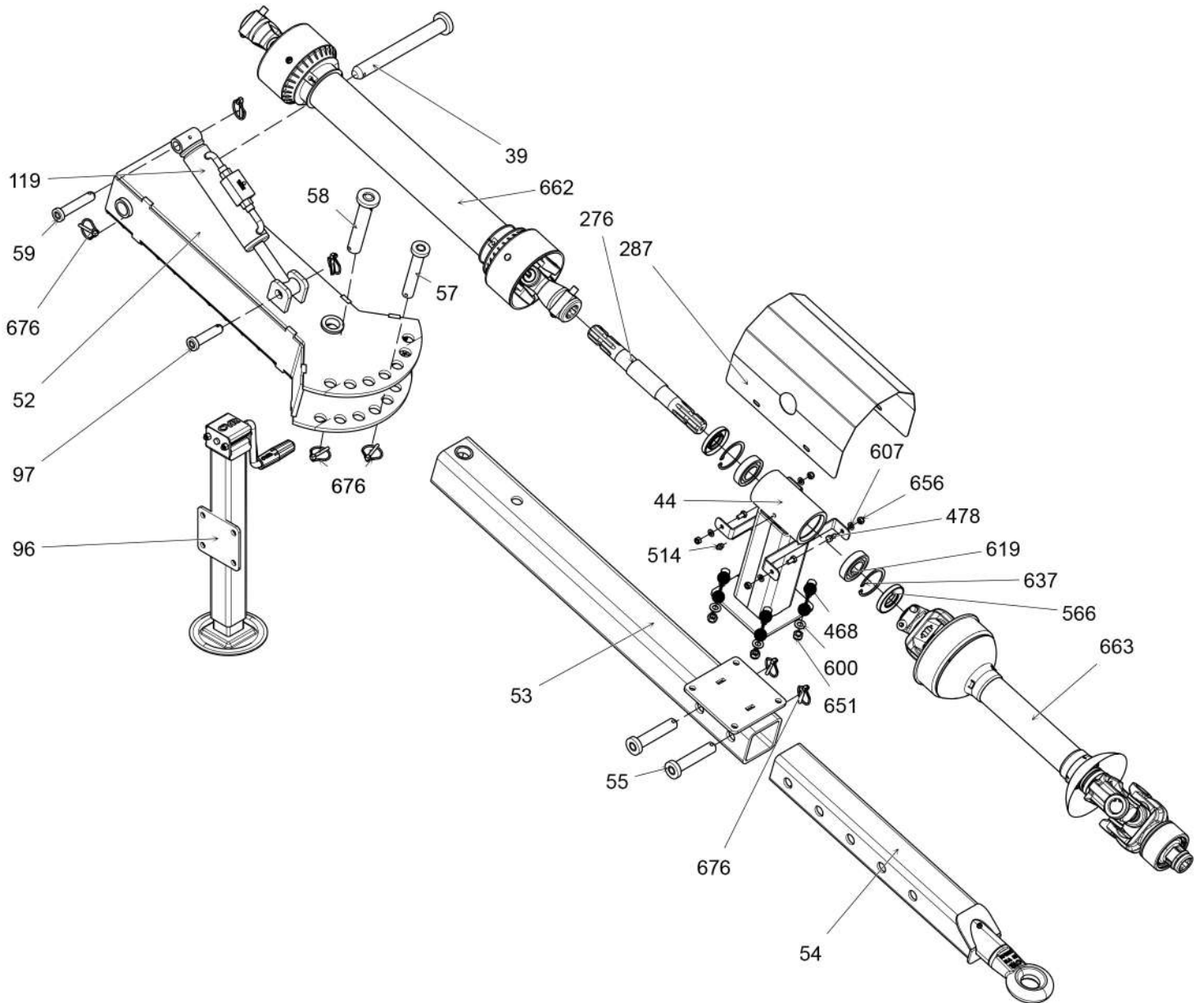
# DOUBLE CHOP FORAGE HARVESTER

## SPARE PART CATALOG

### FRONT DRIVE GROUP

ID	STOCK CODE	DESCRIPTION	QTY
39	CL65029-001	DOUBLE CHOP SMALL SHAFT 268 MM PIN	1
44	CL65201-001	DOUBLE CHOP BSAFT LINK BOTTOM	1
52	CL65304-001	DOUBLE CHOP ADJUSTABLE LINKAGE	1
53	CL65306-002	DOUBLE CHOP DRAWER SHAFT EXTERIOR PARTS WELDING ASSEMBLY	1
54	CL65310-002	DOUBLE CHOP LINKAGRE DRAWER BAR	1
55	CL65313-001	DOUBLE CHOP SHAFT LENGTH PIN	2
57	CL65316-001	DOUBLE CHOP DRAWER SHAFT ADJUSTING 155 MM PIM	1
58	CL65319-001	DOUBLE CHOP CARRIER PIN	1
59	CL65322-002	DOUBLE CHOP FRONT CHECK HYDRAULIC CYLINDER PIN CAP 29.5 LENGTH 110 MM	1
96	CL66576-001	122330 JACK WELDING GROUP	1
97	CL66846-002	DOUBLE CHOP BACK CHECK HYDRAULIC CYLINDER PIN CAP 20 LENGTH 90 MM	1
119	HS01-300X395-BB	HYDRAULIC LIFT KB300 AB395 STROKE 95MM	1
276	CL65082-001	INTERMEDIATE MILLING SHAFT	1
287	CL65208-001	SHAFT HOUSING	1
468	CVT02-M12X35-01	ISO 4017 M12X35 HEXAGON HEAD FULL THREADED 8.8 QUALITY GALVANIZED BOLT	4
478	CVT02-M8X16-01	ISO 4017 M8X16 HEXAGON HEAD FULL THREADED 8.8 QUALITY GALVANIZED BOLT	4
514	GRE01-G1.8-DÜZ	GREASER DIN 71412-A TYPE STRAIGHT G1.8 11ER 6KT	1
566	KEÇE-NBR-KKT-35X72X10	KKT TYPE FELT 35X72X10	2
600	PUL01-M12-01	ISO 7089-M12 GALVANIZED WASHER	4
607	PUL01-M8-01	ISO 7089-M8 GALVANIZED WASHER	4
619	RLM02-6207	TYPE 6207 FIXED BALL BEARING	2
637	SGM02-72X2.5-01	DIN 472-72X2.5 RING	2
651	SMN06-M12-01	DIN 985-M12 HEXAGON 8.8 QUALITY FIBER GALVANIZED NUT	4
656	SMN06-M8-01	DIN 985-M8 HEXAGON 8.8 QUALITY FIBER GALVANIZED NUT	4
662	T7-081-A11-A11-A	SHAFT SERIES 7--KB 810MM--INLET Ø35 Z6--OUTPUT Ø35 Z6	1
663	T8-061-A11-321-A	SHAFT SERIES 8 TYPE 610MM LENGTH INLET CAP 35 Z6 OUTPUT CAP 321-A	1
676	PİM04-6-YAYLI	PIN SPRING CAP 6	8



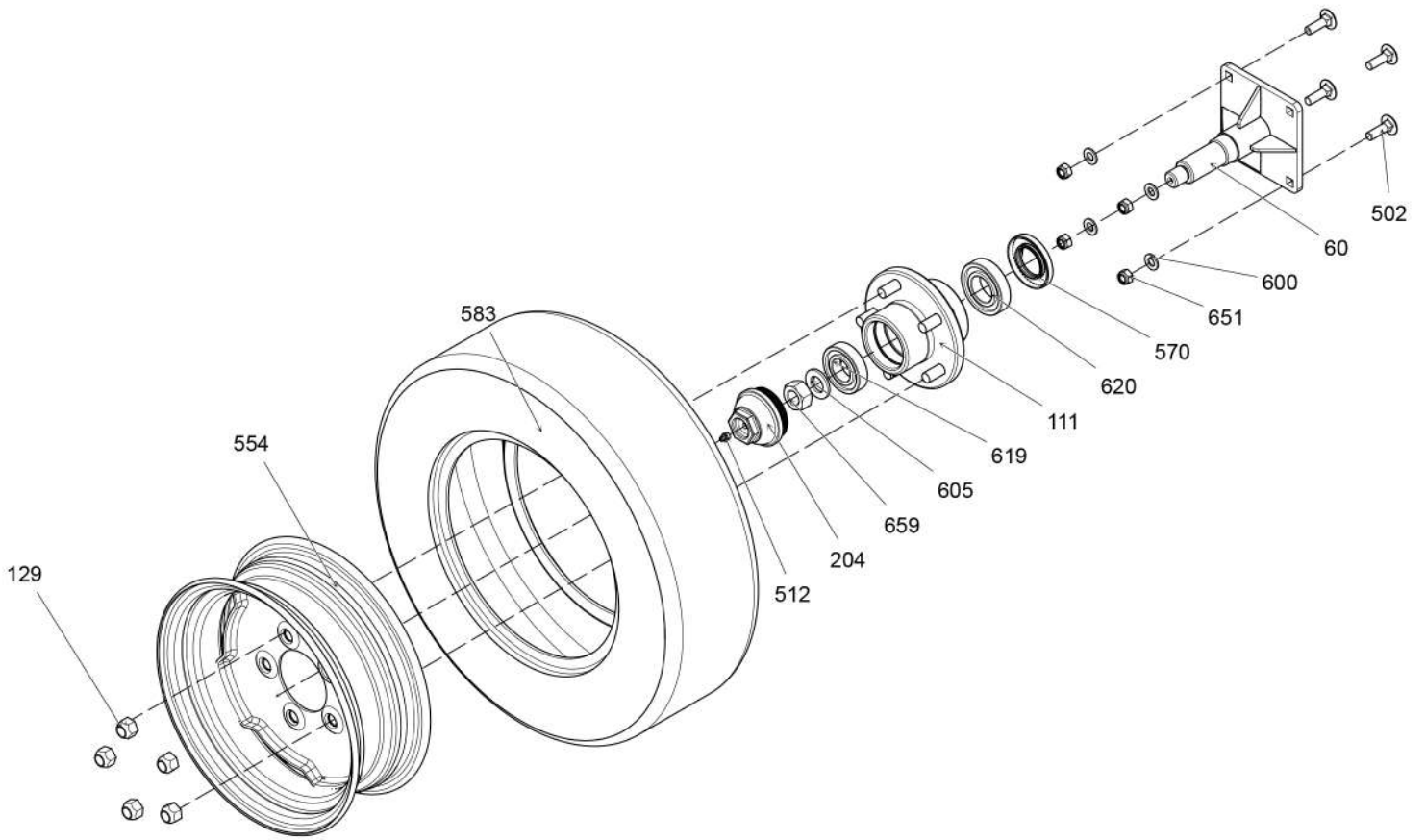


# DOUBLE CHOP FORAGE HARVESTER

## SPARE PART CATALOG

### LEFT WHEEL HUB GROUP

ID	STOCK CODE	DESCRIPTION	QTY
2	185-65-R14X5.50X14O1-001	WHEEL ASSEMBLY LEFT---TIRE-185X65XR14---WHEELS-5.50X14-B-5-PG Ø95-BM Ø140	1
60	CL65327-001	DOUBLE CHOP AXLE WELDING ASSEMBLY	1
111	CL70312-001	5 TENSIONER HUB BOLT ASSEMBLY	1
129	BJN-SMN01-W5.8	NUT WHEEL BOLT W5/8 THREAD LENGTH 19MM	5
204	CL07266-001	HUB CAP	1
502	CVT07-M12X40-01	ISO 8677 M12X40 ZIPKA FULL THREADED 8.8 QUALITY GALVANIZED BOLT	4
512	GRE01-3.8-DÜZ	FITTING DIN 71412-A TYPE 3.8 INCH	1
554	J5.00X14-5X95X140	WHEEL RIM-5.00X14--B 5--PG Ø95--BM Ø140--KJS500140	1
570	KEÇE-NBR-KKT-45X80X10	KKT TYPE FELT 45X80X10	1
583	L185X65XR14XPT311	TIRE SIZE-185/65 R14 MODEL-PT 311 WHEEL RIM-5.50X14 YUK-530 KG SIP CO-DE-CYR112082	1
600	PUL01-M12-01	ISO 7089-M12 GALVANIZED WASHER	4
605	PUL01-M24-01	ISO 7089-M24 GALVANIZED WASHER	1
619	RLM02-6207	TYPE 6207 FIXED BALL BEARING	1
620	RLM02-6208	TYPE 6208 FIXED BALL BEARING	1
651	SMN06-M12-01	DIN 985-M12 HEXAGON 8.8 QUALITY FIBER GALVANIZED NUT	4
659	SMN99-M24X1,5-02	NUT SPECIAL M24X1.5 NUT BLACK	1

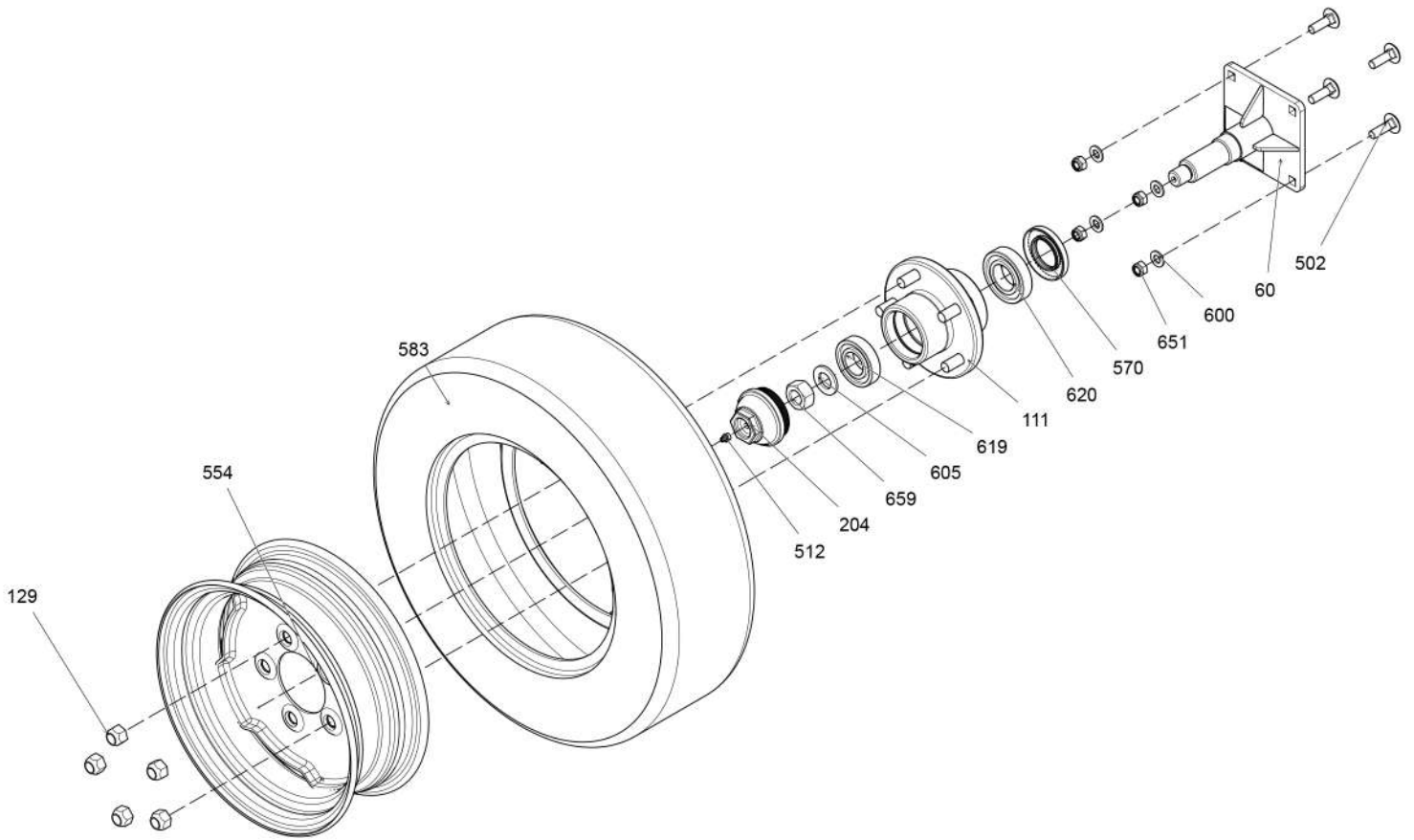


# DOUBLE CHOP FORAGE HARVESTER

## SPARE PART CATALOG

### RIGHT WHEEL HUB ASSEMBLY

ID	STOCK CODE	DESCRIPTION	QTY
1	185-65-R14X5.50X14A1-001	WHEEL ASSEMBLY RIGHT---TIRE-185X65XR14---WHEELS-5.50X14-B-5 PG Ø95-BM Ø140	1
60	CL65327-001	DOUBLE CHOP AXLE WELDING ASSEMBLY	1
111	CL70312-001	5 TENSIONER HUB BOLT ASSEMBLY	1
129	BJN-SMN01-W5.8	NUT WHEEL BOLT W5/8 THREAD LENGTH 19MM	5
204	CL07266-001	HUB CAP	1
502	CVT07-M12X40-01	ISO 8677 M12X40 ZIPKA FULL THREADED 8.8 QUALITY GALVANIZED BOLT	4
512	GRE01-3.8-DÜZ	FITTING DIN 71412-A TYPE 3.8 INCH	1
554	J5.00X14-5X95X140	WHEEL RIM-5.00X14--B 5--PG Ø95--BM Ø140--KJS500140	1
570	KEÇE-NBR-KKT-45X80X10	KKT TYPE FELT 45X80X10	1
583	L185X65XR14XPT311	TIRE SIZE-185/65 R14 MODEL-PT 311 WHEEL RIM-5.50X14 YUK-530 KG SIP CO-DE-CYR112082	1
600	PUL01-M12-01	ISO 7089-M12 GALVANIZED WASHER	4
605	PUL01-M24-01	ISO 7089-M24 GALVANIZED WASHER	1
619	RLM02-6207	TYPE 6207 2nd QUALITY FIXED BALL BEARING	1
620	RLM02-6208	TYPE 6208 2nd QUALITY FIXED BALL BEARING	1
651	SMN06-M12-01	DIN 985-M12 HEXAGON 8.8 QUALITY FIBER GALVANIZED NUT	4
659	SMN99-M24X1,5-02	NUT SPECIAL M24X1.5 NUT BLACK	1



# DOUBLE CHOP FORAGE HARVESTER

## SPARE PART CATALOG

### BELT PULLEY GROUP

ID	STOCK CODE	DESCRIPTION	QTY
46	CL65238-001	TOP GUARD WELDING GROUP	1
66	CL65347-001	DOUBLE CHOP BELT TENSIONING PLATE	1
67	CL65348-001	DOUBLE CUTTING TENSIONER WELDING ASSEMBLY	1
68	CL65355-001	DOUBLE TENSIONER ARM	1
72	CL65362-001	16B2 Z16 COUPLING CHAIN	1
259	CL64922-001	ROTOR BEARING	1
292	CL65216-001	TOP COVER SIDE SHEET	1
300	CL65236-001	CAP 8 MM LENGTH 265 MM PU PNEUMATIC HOSE	1
366	CL65357-001	DOUBLE CUTTING BELT TENSIONER LEVER WASHER	1
367	CL65360-002	16 BI Z16 CAP DN80 WEDGE CHAIN	2
368	CL65364-001	CORE PULLEY 4-SPB-200	1
369	CL65365-001	DOUBLE CHOP UCF BEARING FIXING SHEET	1
462	CVT02-M10X25-01	ISO 4017 M10X25 HEXAGON HEAD FULL THREADED 8.8 QUALITY GALVANIZED BOLT	3
476	CVT02-M6X12-01	ISO 4017 M6X12 HEXAGON HEAD FULL THREADED 8.8 QUALITY GALVANIZED BOLT	11
487	CVT03-M14X65-01	ISO 4762 M14X65-36 SOCKET HEAD HALF THREADED 8.8 QUALITY GALVANIZED BOLT	4
556	KAMA01-10X8X40-01	ISO 2491 10X8-40-A TYPE PARALLEL WEDGE	1
557	KAMA01-10X8X45-01	ISO 2491 10X8-45-A TYPE PARALLEL WEDGE	1
561	KAMA01-14X9X50-01	ISO 2491 14X9-50-A TYPE PARALLEL WEDGE	1
564	KBRC-3020-40	3020 TYPE HOLE CAP. 40 TAPER BUSH	1
571	KEÇE-NBR-KKT-50X72X8	KKT TYPE FELT 50X72X8	1
575	KEÇE-NBR-KKT-60X95X10	KKT TYPE SEAL 60X95X10	1
578	KPLN01-C08-G1.8	PNEUMATIC CAP COUPLING G1-8 (BSPP) IC CAP 8MM	1
580	KSNK02-4-SPB200-3020	BUSH V PULLEY--SPB 200--NUMBER OF CHANNELS 4--SUITABLE TAPER BUSH 3020	1
582	KYS01-17-1575	V BELT---SPB--17X1575 Li	4
606	PUL01-M6-01	ISO 7089-M6 GALVANIZED WASHER	11
618	RLM02-6206-2RS1	6206 2RS1 TYPE FIXED BALL BEARING	2
622	RLM02-S222-22210-CS	S222 22210 CS TYPE BALL ROLLER BEARING	1
630	SGM01-30X1.5-01	DIN 471-30X1.5 RING	1
634	SGM01-45X1.75-01	DIN 471-45X1.75 RING	1
645	SMN01-M6-02	ISO 4032 M6 D TYPE HEXAGON 8.8 QUALITY BLACK NUT	7
650	SMN06-M10-01	DIN 985-M10 HEXAGON 8.8 QUALITY FIBER GALVANIZED NUT	3
652	SMN06-M14-01	DIN 985-M14 HEXAGON 8.8 QUALITY FIBER GALVANIZED NUT	4
654	SMN06-M18-01	DIN 985 M18 GALVANIZED FIBER NUT	1
660	STS02-M6X20-02	ISO 4029 M6X20 BLACK SETSCREW	3
661	STS02-M8X20-02	ISO 4029 M8X20 BLACK SETSCREW	4
668	YAY01-0015	SPRING DOUBLE CHOP BELT TENSIONER	1



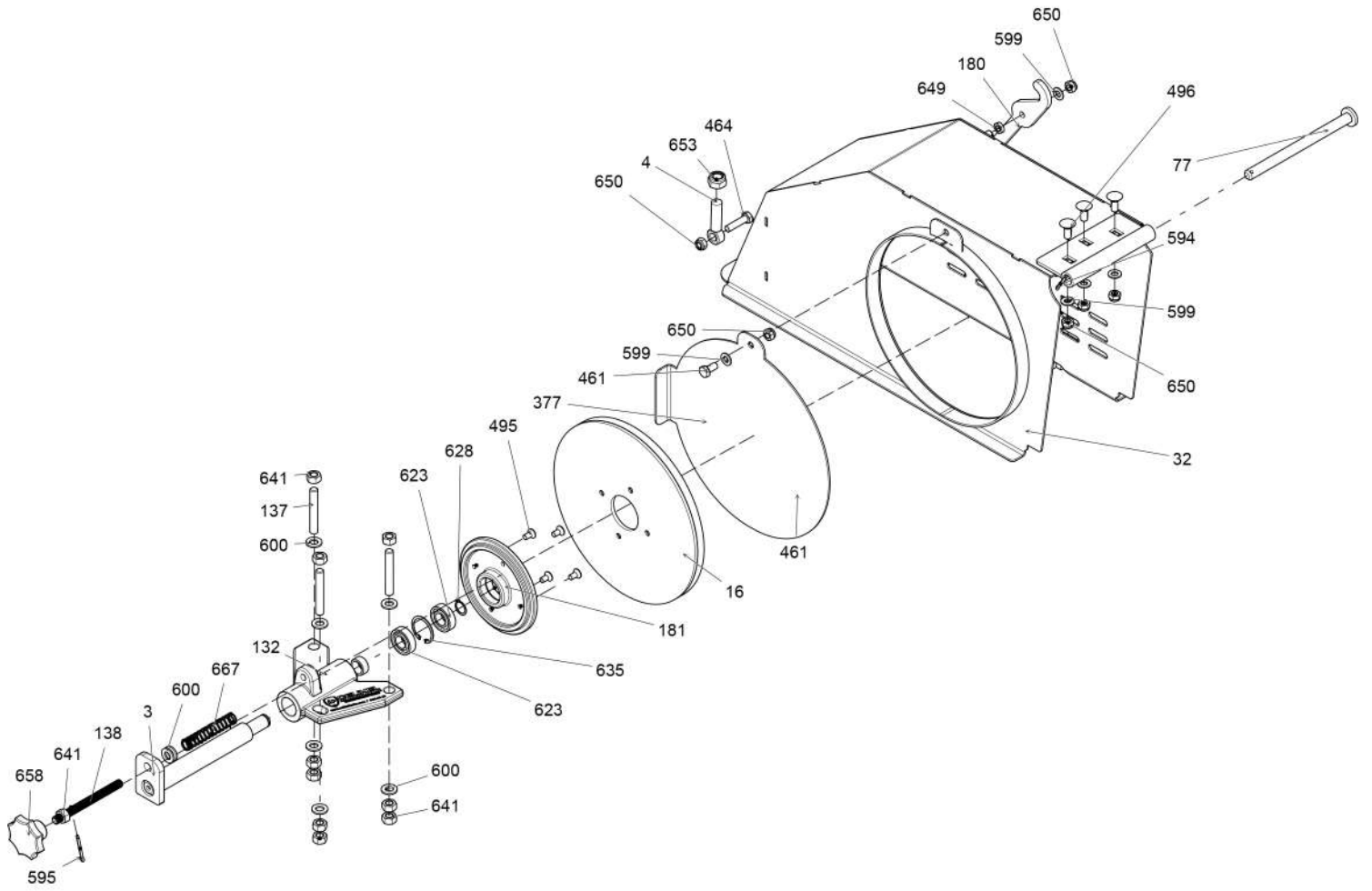
# DOUBLE CHOP FORAGE HARVESTER

## SPARE PART CATALOG

### GRINDING AND HOUSING GROUP

ID	STOCK CODE	DESCRIPTION	QTY
3	CL00469-001	SINGLE ROCKET SILAGE ARM	1
4	CL00496-002	SINGLE ROW SILAGE CHIMNEY LOCKING ELEMENT	1
16	CL06721-001	GRINDING BOARD PLATE	1
32	CL64832-002	DOUBLE CHOP FLYWHEEL CHAMBER TOP COVER WELDING GROUP	1
77	CL65382-001	DOUBLE CHOP FRONT CHECK PIN CAP 16 LENGTH 220 MM	1
132	CL00554-001	SINGLE ROCKET SILAGE ROCKET	1
137	CL00913-001	SINGLE ROW SILAGE M12X80 TENSIONER	3
138	CL00914-001	SINGLE ROW SILAGE M12X141MM ROCKET TENSIONER	1
180	CL07082-001	HOOD HANDLE	1
181	CL07207-001	STONE FLANGE BED	1
377	CL65383-001	GRINDING STONE COVER PLATE	1
461	CVT02-M10X20-01	ISO 4017 M10X20 HEXAGON HEAD FULL THREADED 8.8 QUALITY GALVANIZED BOLT	1
464	CVT02-M10X40-01	ISO 4017 M10X40 HEXAGON HEAD FULL THREADED 8.8 QUALITY GALVANIZED BOLT	1
495	CVT06-M8X16-01	ISO 10642 M8X16-01 SOCKET HEAD HEAD HEAD FULL THREADED 8.8 QUALITY GALVANIZED BOLT	4
496	CVT07-M10X25-01	ISO 8677 M10X25 ZIPKA FULL THREADED 8.8 QUALITY GALVANIZED BOLT	3
594	PIM01-4X28-01	ISO 1234-4X28-C TYPE PIN	1
595	PIM01-4X32-01	ISO 1234-4X32-C TYPE PIN	1
599	PUL01-M10-01	ISO 7089-M10 GALVANIZED WASHER	6
600	PUL01-M12-01	ISO 7089-M12 GALVANIZED WASHER	8
623	RLM03-6004	6004 TYPE FIXED BALL BEARING	2
628	SGM01-20X1.2-01	DIN 471-20X1.2 RING	1
635	SGM02-42X1.75-01	DIN 472-42X1.75 RING	1
641	SMN01-M12-01	ISO 4032 M12 D TYPE ALTICOSE 8.8 QUALITY GALVANIZED NUT	10
649	SMN03-M10-01	ISO 4035 M10 HEXAGON 8.8 QUALITY CHANGED CONTRA GALVANIZED NUT	1
650	SMN06-M10-01	DIN 985-M10 HEXAGON 8.8 QUALITY FIBER GALVANIZED NUT	6
653	SMN06-M16-01	DIN 985-M16 HEXAGON 8.8 QUALITY FIBER GALVANIZED NUT	1
658	SMN14-M12X20-01	NUT HANDLE M12X20 CAP 63MM	1
667	YAY01-0006	SPRING	1



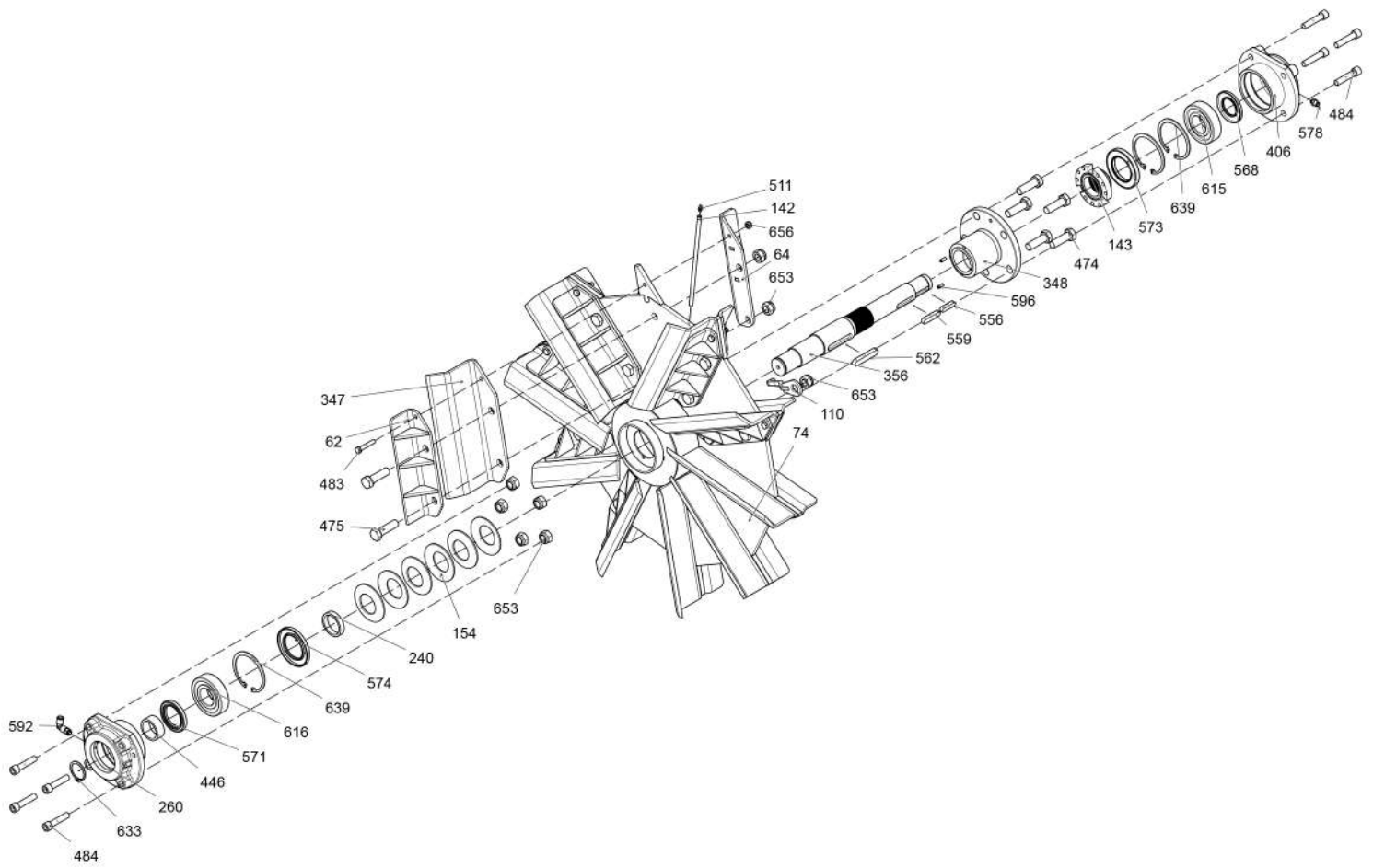


# DOUBLE CHOP FORAGE HARVESTER

## SPARE PART CATALOG

### FLYWHEEL GROUP

ID	STOCK CODE	DESCRIPTION	QTY
62	CL65334-001	DOUBLE CHOP FLYWHEEL KNIFE SUPPORT	10
64	CL65341-001	DOUBLE CHOP PALLET	10
65	CL65342-001	DOUBLE CHOP FLYWHEEL ASSEMBLY	1
74	CL65375-001	FLYWHEEL WELDING GROUP	1
110	CL69517-001	FLYWHEEL NUT FIXING WELDING GROUP	1
142	CL06802-001	FLYWHEEL LUBRICATION PIPE	1
143	CL06835-001	SBS FLYWHEEL SHAFT NUT	1
154	CL07009-001	FLYWHEEL TRANSMISSION SPRING WASHER	6
240	CL64781-001	FLYWHEEL BUSHING	1
260	CL64955-002	FLYWHEEL RIGHT BEARING	1
347	CL65330-001	DOUBLE CHOP FLYWHEEL KNIFE	10
348	CL65331-001	DOUBLE CHOP FLYWHEEL HUB	1
356	CL65343-002	DOUBLE CHOP FLYWHEEL SHAFT	1
406	CL65437-001	FLYWHEEL LEFT BEARING	1
446	CL71770-001	FLYWHEEL BEARING BUSH	1
474	CVT02-M16X50-01	ISO 4017 M16X50 HEXAGON HEAD FULL THREADED 8.8 QUALITY GALVANIZED BOLT	5
475	CVT02-M16X55-01	ISO 4017 M16X55 HEXAGON HEAD FULL THREADED 8.8 QUALITY GALVANIZED BOLT	20
483	CVT02-M8X45-01	ISO 4017 M8X45 HEXAGON HEAD FULL THREADED 8.8 QUALITY GALVANIZED BOLT	10
484	CVT03-M12X55-01	ISO 4762 M12X55-36 SOCKET HEAD HALF THREADED 8.8 QUALITY GALVANIZED BOLT	8
511	GRE01-1.4-DÜZ	FITTING DIN 71412-A TYPE 1.4 INCH FLAT	1
556	KAMA01-10X8X40-01	ISO 2491 10X8-40-A TYPE PARALLEL WEDGE	1
559	KAMA01-12X8X50-01	ISO 2491 12X8-50-A TYPE PARALLEL WEDGE	1
562	KAMA01-14X9X70-01	ISO 2491 14X9-70-A TYPE PARALLEL WEDGE	1
568	KEÇE-NBR-KKT-40X72X7	KKT TYPE FELT 40X72X7	1
571	KEÇE-NBR-KKT-50X72X8	KKT TYPE FELT 50X72X8	1
573	KEÇE-NBR-KKT-55X90X10	KKT TYPE FELT 55X90X10	1
574	KEÇE-NBR-KKT-55X90X7	KKT TYPE FELT 55X90X7	1
578	KPLN01-C08-G1.8	PNEUMATIC CAP COUPLING G1-8 (BSPP) IC CAP 8MM	1
592	PDRS01-8MMXG1.8	3109 TYPE PNEUMATIC ROTARY ELBOW 8MMX1.8 INCH	1
596	P1M03-6x14-01	ISO 8752-6X14 SPLIT PIN	2
615	RLM01-6308	6308 TYPE FIXED BALL BEARING	1
616	RLM02-21308-CS	21308 CS TYPE BALL ROLLER BEARING	1
633	SGM01-40X2.5-01	DIN 471-40X2.5 RING	1
639	SGM02-90X3-01	DIN 472-90X3 RING	3
653	SMN06-M16-01	DIN 985-M16 HEXAGON 8.8 QUALITY FIBER GALVANIZED NUT	25
656	SMN06-M8-01	DIN 985-M8 HEXAGON 8.8 QUALITY FIBER GALVANIZED NUT	10



# DOUBLE CHOP FORAGE HARVESTER

## SPARE PART CATALOG

### GEAR GROUP

ID	STOCK CODE	DESCRIPTION	QTY
50	CL65286-002	DOUBLE CHOP SIDE COVER WELDING BOTTOM ASSEMBLY	1
78	CL65389-001	DOUBLE CHAIN TENSIONING TABLE	1
80	CL65395-001	12B1 52 LINK CHAIN	1
82	CL65397-001	12B1 52 LINK CHAIN	1
87	CL65417-001	DOUBLE CHOP RIGHT SLIDE	1
259	CL64922-001	ROTOR BEARING	1
369	CL65365-001	DOUBLE CHOP UCF BEARING FIXING SHEET	1
378	CL65385-002	DOUBLE CHOP ROTOR SHAFT-12B1 Z15 CHAIN GEAR	1
382	CL65394-001	DOUBLE COVER SIDE DOOR OUTER SHEET	1
396	CL65418-001	CAP 8 MM LENGTH 730 MM PU PNEUMATIC HOSE	1
437	CL69398-001	WIRE AND TENSIONING GEAR 12B1 Z38	2
438	CL69402-001	WIRE CHAIN GEAR BUSH	1
439	CL69420-001	CHAIN TENSION GEAR Z22-12B1	1
468	CVT02-M12X35-01	ISO 4017 M12X35 HEXAGON HEAD FULL THREADED 8.8 QUALITY GALVANIZED BOLT	4
470	CVT02-M12X80-01	ISO 4017 M12X80 HEXAGON HEAD FULL THREADED 8.8 QUALITY GALVANIZED BOLT	1
476	CVT02-M6X12-01	ISO 4017 M6X12 HEXAGON HEAD FULL THREADED 8.8 QUALITY GALVANIZED BOLT	9
487	CVT03-M14X65-01	ISO 4762 M14X65-36 SOCKET HEAD HALF THREADED 8.8 QUALITY GALVANIZED BOLT	4
501	CVT07-M12X35-01	ISO 8677 M12X35 ZIPKA FULL THREADED 8.8 QUALITY GALVANIZED BOLT	4
514	GRE01-G1.8-DÜZ	GREASER DIN 71412-A TYPE STRAIGHT G1.8 11ER 6KT	1
515	GRE01-M8X1.25-DÜZ	GREASER DIN 71412-A TYPE FLAT M8X1.25 9ER 6KT	1
555	KAMA01-10X8X25-01	ISO 2491 10X8-25-A TYPE PARALLEL WEDGE	1
560	KAMA01-14X9X20-01	ISO 2491 14X9-20-A TYPE PARALLEL WEDGE	1
571	KEÇE-NBR-KKT-50X72X8	KKT TYPE FELT 50X72X8	1
575	KEÇE-NBR-KKT-60X95X10	KKT TYPE SEAL 60X95X10	1
578	KPLN01-C08-G1.8	PNEUMATIC CAP COUPLING G1-8 (BSPP) IC CAP 8MM	1
592	PDRS01-8MMXG1.8	3109 TYPE PNEUMATIC ROTARY ELBOW 8MMX1.8 INCH	1
600	PUL01-M12-01	ISO 7089-M12 GALVANIZED WASHER	8
610	PUL02-M6-01	ISO 7093-M6 GALVANIZED LARGE WASHER	9
622	RLM02-S222-22210-CS	S222 22210 CS TYPE BALL ROLLER BEARING	1
624	RLM03-6205-2RS1	6205 2RS1 TYPE FIXED BALL BEARING	2
629	SGM01-25X1.2-01	DIN 471-25X1.2 RING	1
631	SGM01-32X1.5-01	DIN 471-32X1.5 RING	1
647	SMN02-M12-02	ISO 4032 M12 W TYPE HEXAGON 8.8 QUALITY BLACK NUT	1
651	SMN06-M12-01	DIN 985-M12 HEXAGON 8.8 QUALITY FIBER GALVANIZED NUT	8
652	SMN06-M14-01	DIN 985-M14 HEXAGON 8.8 QUALITY FIBER GALVANIZED NUT	4
660	STS02-M6X20-02	ISO 4029 M6X20 BLACK SETSCREW	3

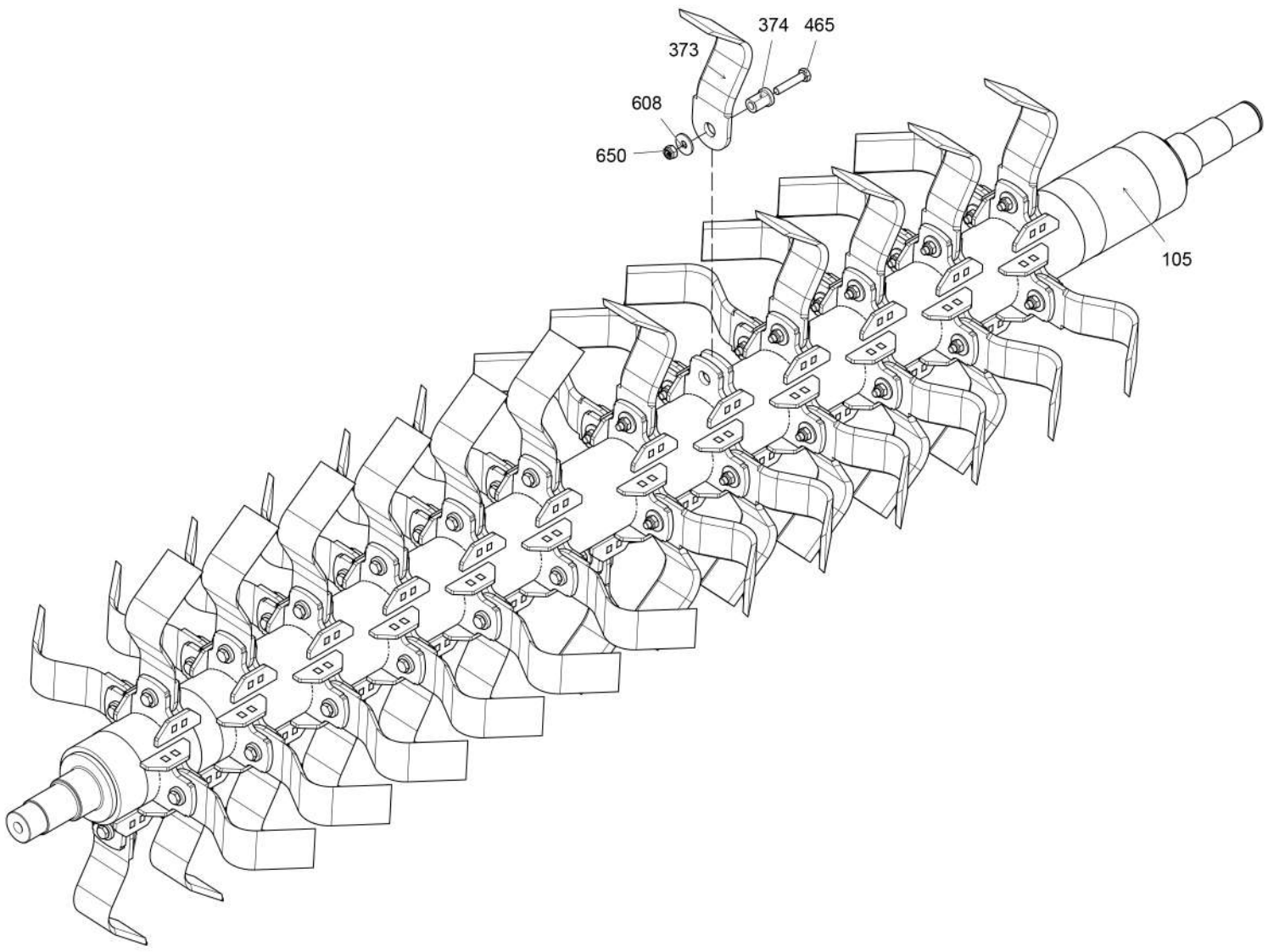


# DOUBLE CHOP FORAGE HARVESTER

## SPARE PART CATALOG

### ROTOR GROUP

ID	STOCK CODE	DESCRIPTION	QTY
105	CL67957-002	1800 DOUBLE CHOP ROTOR KNIFE CONNECTION APPARATUS WELDING GROUP	1
373	CL65377-001	DOUBLE CHOP ROTOR KNIFE	48
374	CL65378-001	DOUBLE CHOP ROTOR KNIFE BUSH	48
465	CVT02-M10X50-01	ISO 4017 M10X50 HEXAGON HEAD FULL THREADED 8.8 QUALITY GALVANIZED BOLT	48
608	PUL02-M10-01	ISO 7093-M10 GALVANIZED LARGE WASHER	48
650	SMN06-M10-01	DIN 985-M10 HEXAGON 8.8 QUALITY FIBER GALVANIZED NUT	48
371	PUL01-M12-01	ISO 7089-M12 GALVANİZLİ PUL	1



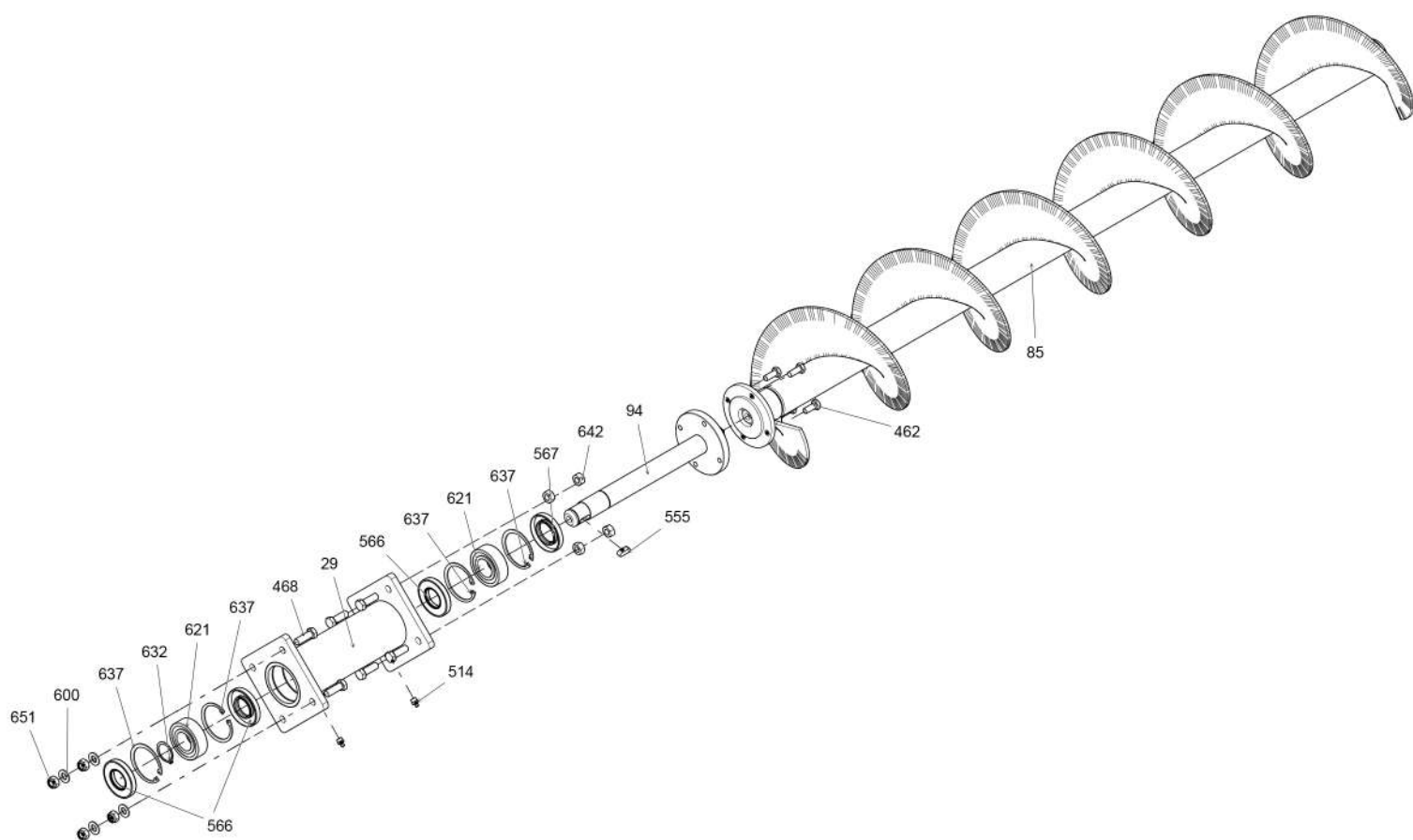
# DOUBLE CHOP FORAGE HARVESTER

## SPARE PART CATALOG

### AUGER GROUP

ID	STOCK CODE	DESCRIPTION	QTY
29	CL64774-001	DOUBLE CHOP HELICAL CASING	1
85	CL65410-001	1800 DOUBLE CHOP WELDED WIRE PIPE	1
94	CL65435-001	WIRE BEDDING SHAFT GROUP	1
462	CVT02-M10X25-01	ISO 4017 M10X25 HEXAGON HEAD FULL THREADED 8.8 QUALITY GALVANIZED BOLT	4
468	CVT02-M12X35-01	ISO 4017 M12X35 HEXAGON HEAD FULL THREADED 8.8 QUALITY GALVANIZED BOLT	8
514	GRE01-G1.8-DÜZ	GREASER DIN 71412-A TYPE STRAIGHT G1.8 IIER 6KT	2
555	KAMA01-10X8X25-01	ISO 2491 10X8-25-A TYPE PARALLEL WEDGE	1
566	KEÇE-NBR-KKT-35X72X10	KKT TYPE FELT 35X72X10	3
567	KEÇE-NBR-KKT-40X72X10	KKT TYPE FELT 40X72X10	1
600	PUL01-M12-01	ISO 7089-M12 GALVANIZED WASHER	4
621	RLM02-S222-22207-CS	S222 22207 CS TYPE BALL ROLLER BEARING	2
632	SGM01-35X1.5-01	DIN 471-35X1.5 RING	1
637	SGM02-72X2.5-01	DIN 472-72X2.5 RING	4
642	SMN01-M12-02	ISO 4032 M12 D TYPE HEXAGON 8.8 QUALITY BLACK NUT	4
651	SMN06-M12-01	DIN 985-M12 HEXAGON 8.8 QUALITY FIBER GALVANIZED NUT	4



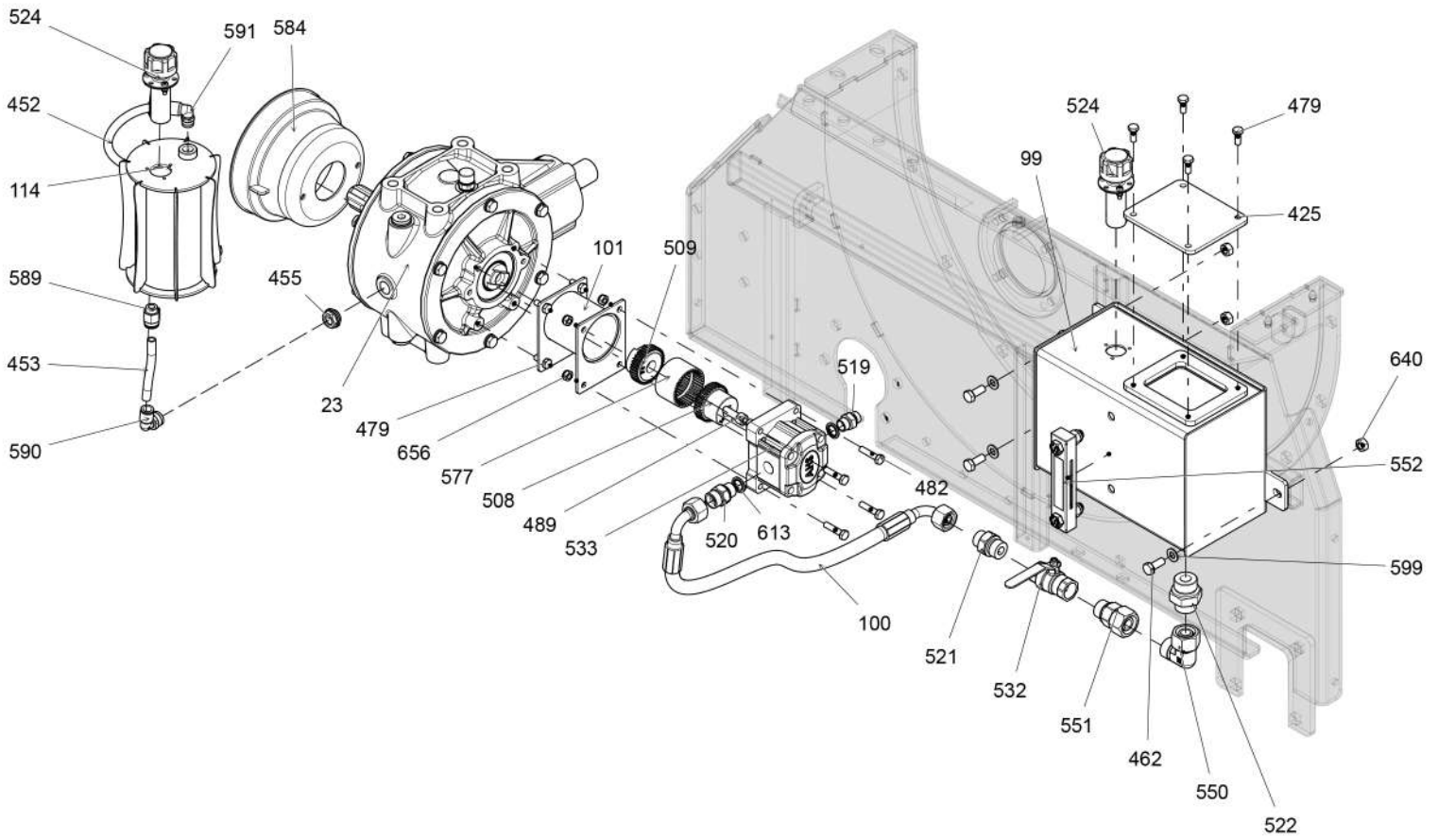


# DOUBLE CHOP FORAGE HARVESTER

## SPARE PART CATALOG

### TRANSMISSION HYDRAULIC GROUP

ID	STOCK CODE	DESCRIPTION	QTY
23	SNZMN-CK-002	DOUBLE CHOP TRANSMISSION (i=1:3)	1
99	CL66900-001	OIL TANK	1
100	CL66905-001	PUMP SUCTION HOSE-HOTRUM 1/2-HEAD1-90°M24X1.5-HEAD2-90°M24X1.5 LENGTH-54 CM	1
101	CL66942-001	TRANSMISSION PUMP INTERCONNECTION	1
114	CL72405-001	OIL COOLING WELDING GROUP	1
425	CL66908-001	OIL TANK COVER SHEET	1
452	CL72408-001	OIL COOLING LONG PNEUMATIC HOSE	1
453	CL72410-001	OIL COOLING SHORT PNEUMATIC HOSE	1
455	CMGZ01-G1.2	INDICATOR GLASS 1.2 INCH	1
462	CVT02-M10X25-01	ISO 4017 M10X25 HEXAGON HEAD FULL THREADED 8.8 QUALITY GALVANIZED BOLT	3
479	CVT02-M8X20-01	ISO 4017 M8X20 HEXAGON HEAD FULL THREADED 8.8 QUALITY GALVANIZED BOLT	8
482	CVT02-M8X35-01	ISO 4017 M8X35 HEXAGON HEAD FULL THREADED 8.8 QUALITY GALVANIZED BOLT	4
489	CVT04-M10X30-01	ISO 4762 M10X30-30 SOCKET HEAD FULL THREADED 8.8 QUALITY GALVANIZED BOLT	1
508	DSL01-1.5M-36Z	GEAR PUMP COUPLING 1.5MX36Z	1
509	DSL01-KAPLİN-1.5MXZ36	GEAR WEDGE 36 OUTER TRANSMISSION COUPLING GEAR	1
519	HDR01-M18XG3.8	HYDRAULIC FITTING M18X3.8 INCH	1
520	HDR01-M24XG1.2	HYDRAULIC FITTING M24X1.2 INCH	1
521	HDR01-M24XG3.4	HYDRAULIC FITTING M24X3.4INCH	1
522	HDR01-M30XG1	HYDRAULIC FITTING M30X1 INCH	1
524	HEF01-STND-SUZGC	OIL TANK FILLING CAP WITH FILTER SHEET	2
532	HKV01-G3.4-DN20-PN25	VALVE BALL 3.4 INCH DN20 PN25	1
533	HP01-EA4-50-4CC	HYDRAULIC PUMP - AHS EA 4 50 - G1/2-14 - G3/8-19	1
550	HTD01-M30-M30	REVERSE ELBOW M30XM30	1
551	HTN01-M30XG3.4	REVERSE NİPEL M30X3.4	1
552	HYG01-M12X127	HYDRAULIC OIL GAUGE M12X127	1
577	KPLN01-ARA-Z36	INTERMEDIATE COUPLING Z36	1
584	MHFZ01-ÇAPI80	SAFT HOUSING PLASTIC	1
589	PDR01-G3.8-C12	PNEUMATIC STRAIGHT COUPLING--G3/8--Ø12	1
590	PDRS01-12MMXG1.2	3109 TYPE PNEUMATIC ROTARY ELBOW 12MMX1.2 INCH	1
591	PDRS01-12MMXG3-8	3109 TYPE PNEUMATIC ROTARY ELBOW 12MMX3.8 INCH	1
599	PUL01-M10-01	ISO 7089-M10 GALVANIZED WASHER	15
613	PUL05-3.8INCH-01	DIN 5601-3.8 INCH SUPER WASHER	3
640	SMN01-M10-02	ISO 4032 M10 D TYPE HEXAGON 8.8 QUALITY BLACK NUT	4
656	SMN06-M8-01	DIN 985-M8 HEXAGON 8.8 QUALITY FIBER GALVANIZED NUT	4

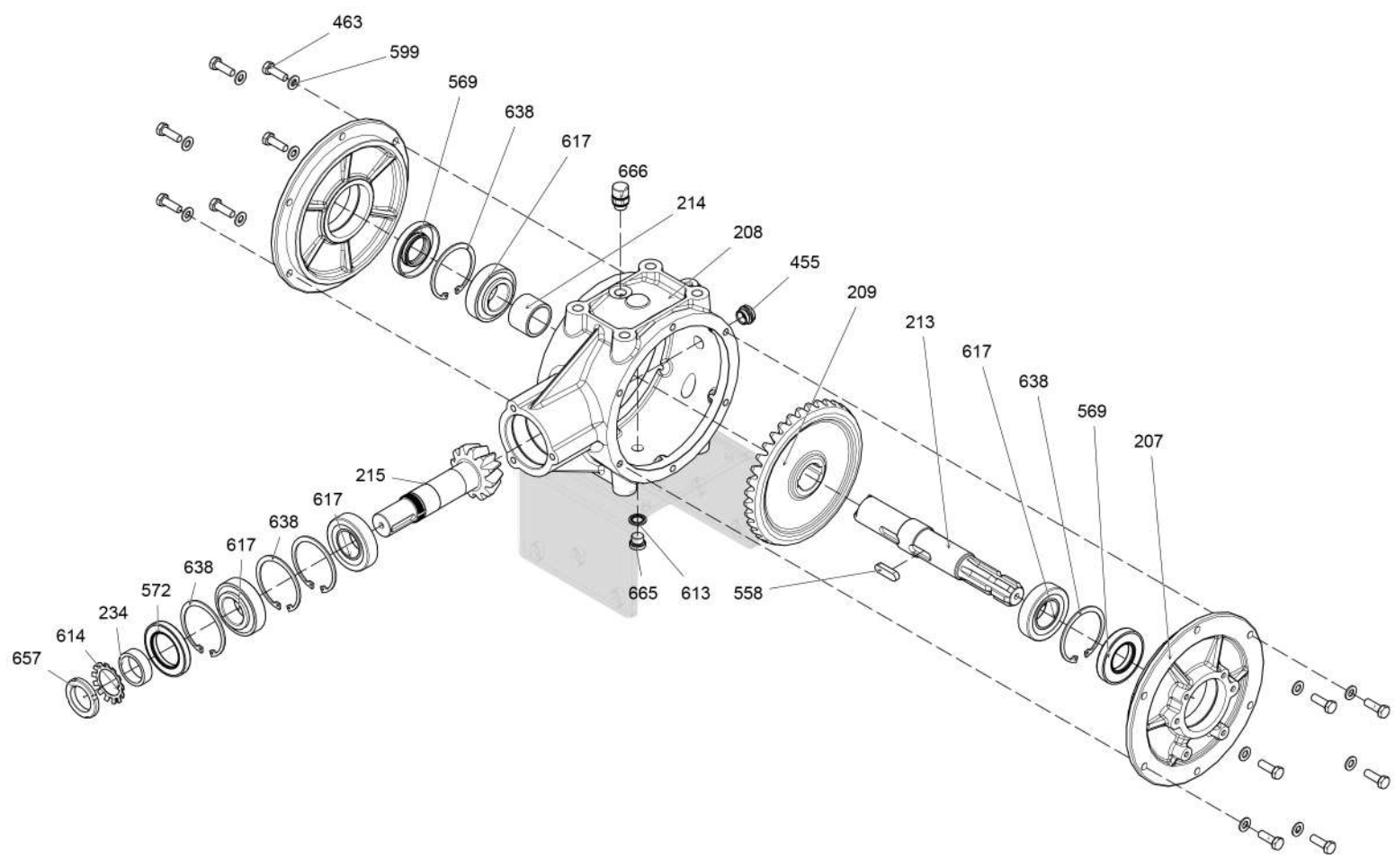


# DOUBLE CHOP FORAGE HARVESTER

## SPARE PART CATALOG

### TRANSMISSION GROUP

ID	STOCK CODE	DESCRIPTION	QTY
207	CL54048-001	CKOSM WOVEN COVER	2
208	CL54049-001	CKOSM TRANSMISSION BODY	1
209	CL54050-001	CKOSM TRANSMISSION Z-37 GEAR	1
213	CL54079-001	CKOSM TRANSMISSION LONG SHAFT	1
214	CL54080-001	DOUBLE CHOPPING TRANSMISSION BUSH	1
215	CL54081-001	CKOSM-Z -12 CONICAL GEAR	1
234	CL64746-001	CK 40X50X15 SEAL BUSH	1
455	CMGZ01-G1.2	INDICATOR GLASS 1.2 INCH	1
463	CVT02-M10X30-01	ISO 4017 M10X30 HEXAGON HEAD FULL THREADED 8.8 QUALITY GALVANIZED BOLT	12
558	KAMA01-12X8X40-01	ISO 2491 12X8-40-A TYPE PARALLEL WEDGE	2
569	KEÇE-NBR-KKT-40X80X12	KKT TYPE FELT 40X80X12	2
572	KEÇE-NBR-KKT-50X80X10	KKT TYPE FELT 50X80X10	1
599	PUL01-M10-01	ISO 7089-M10 GALVANIZED WASHER	12
613	PUL05-3.8INCH-01	DIN 5601-3.8 INCH SUPER WASHER	1
614	PUL06-MB8	DIN 5406 MB8 TYPE 40MM LOCKED WASHER	1
617	RLM02-32208	32208 TYPE	4
638	SGM02-80X2.5-01	DIN 472-80X2.5 RING	5
657	SMN12-KM8	DIN 981 KM8 TYPE M40X1.5 LOCKED NUT	1
665	TAPA01-G3.8	DIN 908 PLUG HEAD CORE 3.8 INCH	1
666	TAPA02-G3.8	AIR VALVE G3.8	1

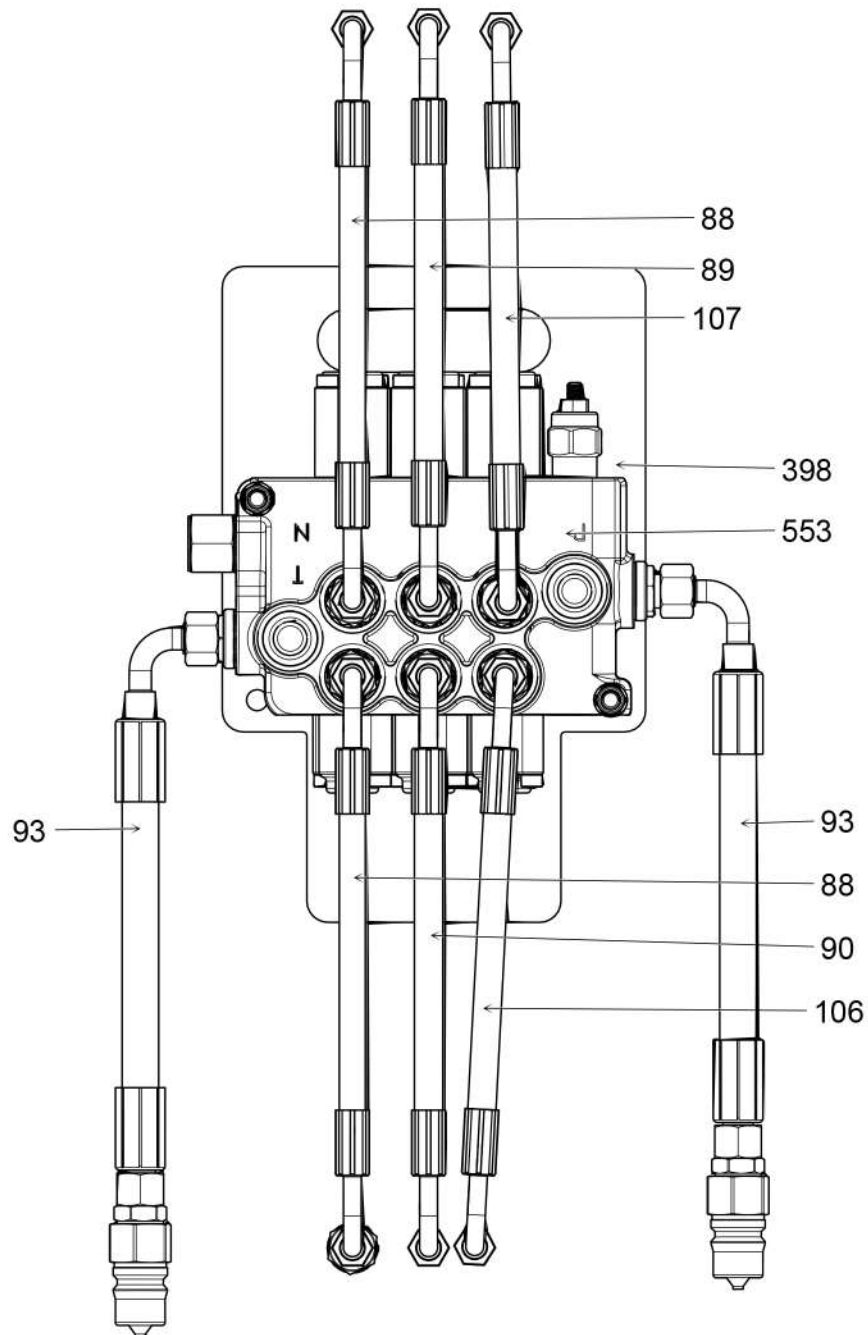


# DOUBLE CHOP FORAGE HARVESTER

## SPARE PART CATALOG

### 160 CHIMNEY ROTARY CONTROLLER

ID	STOCK CODE	DESCRIPTION	QTY
88	CL65422-001	FORMAT LEVEL ADJUSTMENT HOSE---1/4 R1 HOSE---LENGTH 3500 MM---1/2 UNF 90-- -1/2 UNF 90	2
89	CL65424-001	CAP ADJUSTMENT HOSE---1/4 R1 HOSE---LENGTH 8000 MM---1/2 UNF 90---1/2 UNF 90	1
90	CL65426-001	CAP ADJUSTMENT HOSE---1/4 R1 HOSE---LENGTH 8150 MM---1/2 UNF 90---1/2 UNF 90	1
93	CL65432-001	CONTROL INLET-OUTPUT HOSE---3/8 R1---1750 MM---M18X1,5 90D---FLAT 1/2 CAB CONNECTION	2
106	CL68792-001	160 ROTARY DRAWING HOSE-1/4 R1 HOSE-LENGTH 5700 MM-INLET 1/2 UNF 90-OUTPUT 1/2 UNF 90	1
107	CL68794-001	160 ROTARY DRAWING HOSE-1/4 R1 HOSE-LENGTH 5900 MM-INLET 1/2 UNF 90-OUTPUT 1/2 UNF 90	1
398	CL65420-001	DOUBLE CHOP HYDRAULIC CONTROL SHEET	1
553	HYKV01-ORV-MS45-3P-KLL	ORVAL-MS45-3P-SLEEVE DIRECTION CONTROL VALVE	1

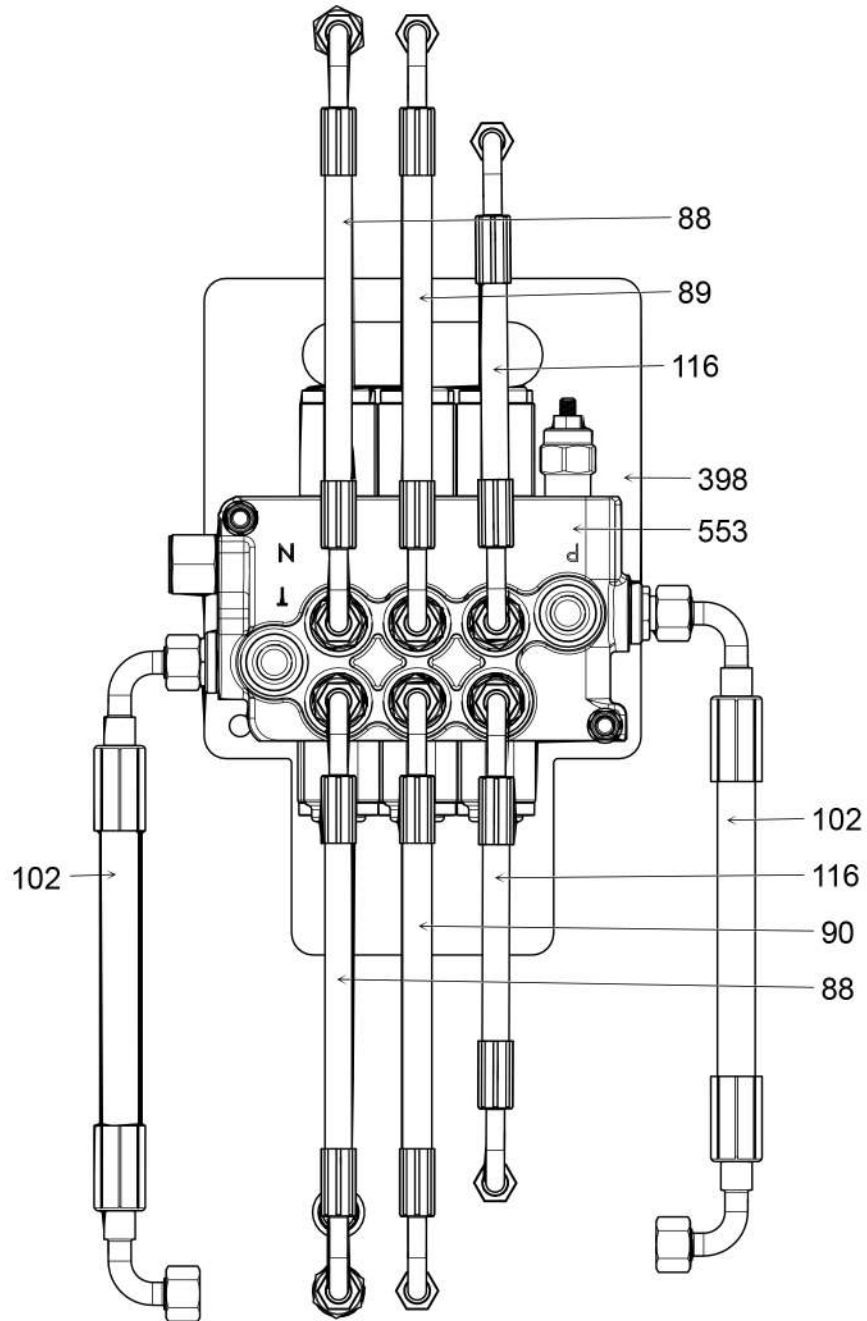


# DOUBLE CHOP FORAGE HARVESTER SPARE PART CATALOG

## 360 ROTARY CHIMNEY CONTROLLER

ID	STOCK CODE	DESCRIPTION	QTY
88	CL65422-001	FORMAT LEVEL ADJUSTMENT HOSE---1/4 R1 HOSE---LENGTH 3500 MM---1/2 UNF 90-- -1/2 UNF 90	2
89	CL65424-001	CAP ADJUSTMENT HOSE---1/4 R1 HOSE---LENGTH 8000 MM---1/2 UNF 90---1/2 UNF 90	1
90	CL65426-001	CAP ADJUSTMENT HOSE---1/4 R1 HOSE---LENGTH 8150 MM---1/2 UNF 90---1/2 UNF 90	1
102	CL66964-001	4000 MM 3/8 R1 CONTROL INLET HOSE-INLET M18X1.5 90- OUTLET M18X1.5 90	2
116	CL72849-001	360 CHUTE FREEZE HYDRAULIC HOSE 1/4" R1 5800 MM (INLET HEAD 90° 1/2 UNF-OUTLET HEAD 90° 1/2 UNF)	2
398	CL65420-001	DOUBLE CHOP HYDRAULIC CONTROL SHEET	1
553	HYKV01-ORV-MS45-3P-KLL	ORVAL-MS45-3P-SLEEVE DIRECTION CONTROL VALVE	1







Akabe, Şehit Furkan Doğan Cad No:11, 42000 Karatay/Konya TURKEY

[info@royermak.com](mailto:info@royermak.com) / [www.royermak.com](http://www.royermak.com)

+90 553 699 89 59